

EASY
SLIDE



ZENAYA

Hinged, sliding or corner door robes, plain: colour, high polish or mirror

Hinged and corner door robes: aluminium coloured handles

Sliding door robes: Handle strips in carcass colour

Matching pieces: aluminium coloured handles,
drawers with base rail, cushioned self-closing mechanism



Interiors, per wardrobe unit: 2 shelves + 1 clothes rail

For extras, see **rauch ORANGE + EXTRAS a)/b)**

■ on pages 214-225 and 226-233.

Front/Carcass:



Artisan oak colour



Alpine white



Silk grey



Graphite

Front:



High polish white



High polish soft grey


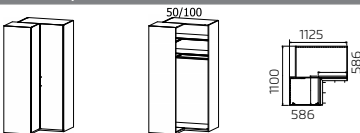






Aluminium-coloured handles/ Carcass-coloured handle strips



1	COL. CODE	FRONT VARIATION ▶	COLOUR	MIRROR	HIGH POLISH	
	FRONT/CARCASE COLOUR ▼		Front in carcase colour	Mirror	White	Soft grey
	Artisan oak colour		A315B	A315B	A316B	A317B
	Alpine white		A149B	A149B	A150B	A318B
	Silk grey		A155B	A155B	A156B	-
	Graphite		A157B	A157B	A158B	A320B

2		Width in cm	101	151	201	251
HINGED DOOR ROBES HEIGHT 223 CM DEPTH 60 CM		Drawing				
		Description	2-door	3-door	4-door	5-door
		Carcase division (cm)	100	100 50	100 100	100 50 100
▼ Front		▼ Art. no.	▼ Price	...		
Colour		4300	4301	4233	4235	
Colour and mirror		55DA right door mirror	582A middle door mirror	5821 2 middle doors mirror	5825 3 middle doors mirror	
Mirror		5V1F	5V1G	5V1H	5V1J	
High polish		4S01	4S14	4S13	4S17	
High polish and mirror		55H3 right door mirror	5S15 middle door mirror	5S57 2 middle doors mirror	5S67 3 middle doors mirror	

1	COL. CODE	FRONT VARIATION ▶	COLOUR	MIRROR	HIGH POLISH	
	FRONT/CARCASE COLOUR ▼		Front in carcass colour	Mirror	White	Soft grey
	Artisan oak colour		A315B	A315B	A316B	A317B
	Alpine white		A149B	A149B	A150B	A318B
	Silk grey		A155B	A155B	A156B	-
	Graphite		A157B	A157B	A158B	A320B

2	Width in cm		110/112,5			
CORNER DOOR ROBES HEIGHT 223 CM	 Drawing					
		Description	2-door, 90°			
		Carcass division (cm)	50 100			
▼ Front		▼ Art. no.	▼ Price	...		
 Colour		4700				
 Mirror		5V00				
 High polish		4900				

EXTRAS	
Colour ▼	Col. code
Texline (natural-colour linen look)	A0066

INTERIOR PACKAGE FOR HINGED DOOR ROBES	Drawing	CLASSIC	PREMIUM
101	Description	Accessory package: clothes rail w 100 cm	Accessory package: drawer unit w 100 cm
▼ Width			
Hinged door robe ↔ 101 cm		9738	9S88

INTERIOR PACKAGE FOR HINGED DOOR ROBES	Drawing	CLASSIC	PREMIUM
151	Description	Accessory package: 1/2 - 1/2 division w 100 cm, clothes rail w 50 cm	Accessory package: drawer unit w 100 cm, clothes rail w 50 cm
▼ Width			
Hinged door robe ↔ 151 cm		0VC1	0VP1

EXTRAS	
Colour ▼	Col. code
Texline (natural-colour linen look)	A0066

		CLASSIC	PREMIUM
INTERIOR PACKAGE FOR HINGED DOOR ROBES 201	Drawing		
	Description	Accessory package: 1/2 - 1/2 division w 100 cm	Accessory package: 1/2 - 1/2 division w 100 cm, drawer unit w 100 cm
	▼ Width		
Hinged door robe ↔ 201 cm	9SJ6	0VP2	

		CLASSIC	PREMIUM
INTERIOR PACKAGE FOR HINGED DOOR ROBES 251	Drawing		
	Description	Accessory package: 1/2 - 1/2 division w 100 cm, clothes rail w 50 cm	Accessory package: 1/2 - 1/2 division w 100 cm, drawer unit w 100 cm, clothes rail w 50 cm
	▼ Width		
Hinged door robe ↔ 251 cm	0VC3	0VP3	

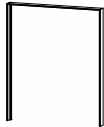
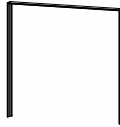
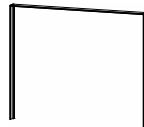
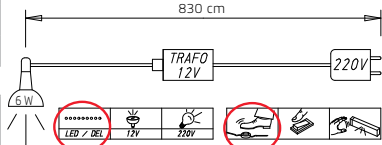


1	COL. CODE	FRONT VARIATION ▶	COLOUR	MIRROR	HIGH POLISH	
	FRONT/CARCASE COLOUR ▼		Front in carcase colour	Mirror	White	Soft grey
	Artisan oak colour		A315B	A315B	A316B	A317B
	Alpine white		A149B	A149B	A150B	A318B
	Silk grey		A155B	A155B	A156B	-
	Graphite		A157B	A157B	A158B	A320B

2		Width in cm	137	181	226	
	SLIDING DOOR ROBES					EASY SLIDE
	HEIGHT 223 CM DEPTH 68 CM	Drawing				
	Description	2-door	2-door	2-door		
	Carcase division (cm)	67 67	90 90	90 90 45		
	▼ Front	▼ Art. no.	▼ Price	...		
	Colour		4430	45S0	45S1	
	Colour and mirror		5SD6	5SD7	5SD8	
	Mirror		55T4	55T7	55T8	
	High polish		47S7	45S7	45S8	
	High polish and mirror		5H67	5H68	5H69	

Combination possibilities:
Decor and mirror or high polish and mirror





1	COL. CODE	FRONT VARIATION ▶	COLOUR	MIRROR	HIGH POLISH	
	FRONT/CARCASE COLOUR ▼		Front in carcass colour	Mirror	White	Soft grey
	Artisan oak colour		A315B	A315B	A316B	A317B
	Alpine white		A149B	A149B	A150B	A318B
	Silk grey		A155B	A155B	A156B	-
	Graphite		A157B	A157B	A158B	A320B


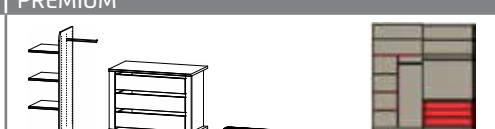
2		Width in cm	145	189	234	
PASSEPARTOUTS FOR SLIDING DOOR ROBES in carcass colour HEIGHT 226 cm	Drawing					Please order using the same colour code as for the wardrobes. 
	Description		passepertout	passepertout	passepertout	
			▼ Art. no.	▼ Price	...	
without lighting			9P81	9PM1	9PS1	This product contains a light source of the energy efficiency class E. EPREL 766798
with horizontal LED lighting			9P80	9PN2	9PV6	

ZENAYA

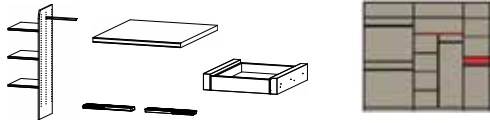
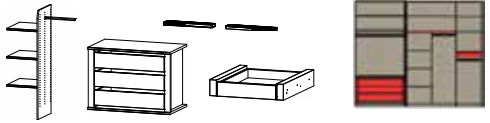
rauch ORANGE +

EXTRAS	
Colour ▼	Col. code
Texline (natural-colour linen look)	A0066

INTERIOR PACKAGE FOR SLIDING DOOR ROBES	Drawing	CLASSIC	PREMIUM
			
135	Description	Accessory package: Set of 3 Shelves, set of 2 door dampers,	Accessory package: Set of 3 Shelves, set of 2 door dampers, Drawer unit w 70 cm
▼ Width			
Sliding door robe ↔ 135 cm		OCS0	OPS0

INTERIOR PACKAGE FOR SLIDING DOOR ROBES	Drawing	CLASSIC	PREMIUM
			
181	Description	Accessory package: 1/2 - 1/2 division w 90 cm, set of 2 door dampers	Accessory package: 1/2 - 1/2 division w 90 cm, drawer unit w 90 cm, set of 2 door dampers
▼ Width			
Sliding door robe ↔ 181 cm		OVC4	OVP4

EXTRAS	
Colour ▼	Col. code
Texline (natural-colour linen look)	A0066

		CLASSIC	PREMIUM
INTERIOR PACKAGE FOR SLIDING DOOR ROBES <div style="background-color: black; color: white; padding: 5px; display: inline-block;">226</div>	Drawing		
	Description	Accessory package: 1/2 - 1/2 division w 90 cm, shelf w 45 cm, set of 2 door dampers, pull-out shelf w 45 cm	Accessory package: 1/2 - 1/2 division w 90 cm, drawer unit w 90 cm, set of 2 door dampers, pull-out shelf w 45 cm
	▼ Width		
Sliding door robe ↔ 226 cm	0VC5	0VP5	

1	COL. CODE	FRONT VARIATION ▶	COLOUR	HIGH POLISH
	FRONT/CARCASE COLOUR ▼		Front in carcase colour	White Soft grey
	Artisan oak colour		A315B	A316B A317B
	Alpine white		A149B	A150B A318B
	Silk grey		A155B	A156B -
	Graphite		A157B	A158B A320B

2			Width in cm	40	40	80	80	
MATCHING PIECES 	Drawing Description Description Dimensions (W/H/D)							
			bedside table	chest	chest	chest		
			3 drawers	4 drawers	4 drawers	5 drawers		
			↔40 cm †61 cm ↗42 cm	↔40 cm †81 cm ↗42 cm	↔80 cm †81 cm ↗42 cm	↔80 cm †81 cm ↗42 cm		
▼ Front	▼ Art. no.	▼ Price	...					
Colour			6D17	6D25	6D26	6D27		
High polish			6H17	6H25	6H26	6H27		

Extras for HINGED door wardrobes – Standard: 2 shelves and 1 hanging rail per unit – Please order with colour code **A0066**

	Width 101 cm	Width 151 cm		Width 201 cm		Width 251 cm		
		left unit	right unit	left unit	right unit	left unit	central unit	right unit
Wardrobe units	100	100	50	100	100	100	50	100
Hanging rail	9738 ✓	9738 ✓	9739 ✓	9738 ✓	9738 ✓	9738 ✓	9739 ✓	9738 ✓
Shelf	9641 ✓	9641 ✓	9643 ✓	9641 ✓	9641 ✓	9641 ✓	9643 ✓	9641 ✓
Set of 3 shelves	9631 ✓	9631 ✓	9633 ✓	9631 ✓	9631 ✓	9631 ✓	9633 ✓	9631 ✓
Interior drawer	9S88 ✓	9S88 ✓	9S86 ✓	9S88 ✓	9S88 ✓	9S88 ✓	9S86 ✓	9S88 ✓
1/2-1/2-Division	9SJ6 ✓	9SJ6 ✓	✗	9SJ6 ✓	9SJ6 ✓	9SJ6 ✓	✗	9SJ6 ✓

For extras, see **rauch ORANGE + EXTRAS a)** on pages 214-225.

Extras for SLIDING door wardrobes – Standard: 2 shelves and 1 hanging rail per unit – Please order with colour code **A0066**

	Width 137 cm	Width 181 cm		Width 226 cm			
	left unit	right unit	left unit	right unit	left unit	central unit	right unit
Wardrobe units	67	67	90	90	90	90	45
Hanging rail	9776 ✓	9776 ✓	9719 ✓	9719 ✓	9719 ✓	9719 ✓	9715 ✓
Shelf	9425 ✓	9425 ✓	9642 ✓	9642 ✓	9642 ✓	9642 ✓	9644 ✓
Set of 3 shelves	9426 ✓	9426 ✓	9632 ✓	9632 ✓	9632 ✓	9632 ✓	9634 ✓
Interior drawer	9S89 ✓	9S89 ✓	9S87 ✓	9S87 ✓	9S87 ✓	✗	9S85 ✓
1/2-1/2-Division	✗	✗	9SJ5 ✓	9SJ5 ✓	9SJ5 ✓	9SJ5 ✓	✗
Soft-Close	9DM1 ✓		9DM1 ✓		9DM1 ✓		

For extras, see **rauch ORANGE + EXTRAS b)** on pages 226-233.