

# TELLIN

rauch ORANGE +

rauch  
ORANGE



cornice  
included



**Hinged door wardrobes**

2 Handle variants:



Front/Carcase:

Choice of 4 colour finishes

Handle strips:

aluminium or chrome coloured

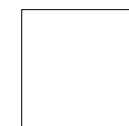
**Front/Carcase:**



Sonoma oak colour



Artisan oak colour



Alpine white



Silk grey

▪ For extras, see **rauch ORANGE + EXTRAS a)** on pages 214-225.



1	Col. code	Front ▶	COLOUR
	Carcase colour ▼		Carcase coloured
	Sonoma oak colour carcase		A720_
	Artisan oak colour		A721_
	Alpine white		A722_
	Silk grey		A723_



2	HANDLES ▶	ALUMINIUM COLOUR (PG 1) = A	CHROME COLOUR (PG 2) = C
---	-----------	-----------------------------	--------------------------

3	HINGED DOOR WARD-ROBES	Width in cm				
		HEIGHT 226 cm				
		Name	hinged door wardrobe	hinged door wardrobe	hinged door wardrobe	hinged door wardrobe
		Name	2-door, with cornice	3-door, with cornice	4-door, with cornice	5-door, with cornice
		Dimensions (W/H/D)	↔101 cm †226 cm ↗64 cm	↔151 cm †226 cm ↗64 cm	↔201 cm †226 cm ↗64 cm	↔251 cm †226 cm ↗64 cm
		▼ Art. no..	▼ Price	...		
	Colour	<b>43R0</b>	<b>43R1</b>	<b>43R2</b>	<b>43R3</b>	

	HINGED DOOR WARD-ROBES WITH MIRRORED DOORS	Width in cm				
		HEIGHT 226 cm				
		Name	hinged door wardrobe	hinged door wardrobe	hinged door wardrobe	hinged door wardrobe
		Name	2-door, 1 mirror door, with cornice	3-door, 1 mirror door, with cornice	4-door, 2 mirror doors, with cornice	5-door, 3 mirror doors, with cornice
		Dimensions (W/H/D)	↔101 cm †226 cm ↗64 cm	↔151 cm †226 cm ↗64 cm	↔201 cm †226 cm ↗64 cm	↔251 cm †226 cm ↗64 cm
		▼ Art. no..	▼ Price	...		
	Colour	<b>53R0</b>	<b>53R1</b>	<b>53R2</b>	<b>53R3</b>	

EXTRAS	
Colour ▼	Col. code
Texline (natural-colour linen look)	<b>A0066</b>

		CLASSIC	PREMIUM
INTERIOR PACKAGE FOR HINGED DOOR ROBES  <b>101</b>	Drawing		
	Description	Accessory package: clothes rail w 100 cm	Accessory package: drawer unit w 100 cm
▼ Width			
Hinged door robe ↔ 101 cm		<b>9738</b>	<b>9S88</b>

		CLASSIC	PREMIUM
INTERIOR PACKAGE FOR HINGED DOOR ROBES  <b>151</b>	Drawing		
	Description	Accessory package: 1/2 - 1/2 division w 100 cm, clothes rail w 50 cm	Accessory package: drawer unit w 100 cm, clothes rail w 50 cm
▼ Width			
Hinged door robe ↔ 151 cm		<b>0VC1</b>	<b>0VP1</b>

EXTRAS	
Colour ▼	Col. code
Texline (natural-colour linen look)	<b>A0066</b>

		CLASSIC	PREMIUM
INTERIOR PACKAGE FOR HINGED DOOR ROBES  <b>201</b>	Drawing		
	Description	Accessory package: 1/2 - 1/2 division w 100 cm	Accessory package: 1/2 - 1/2 division w 100 cm, drawer unit w 100 cm
▼ Width			
Hinged door robe ↔ 201 cm		<b>9SJ6</b>	<b>0VP2</b>

		CLASSIC	PREMIUM
INTERIOR PACKAGE FOR HINGED DOOR ROBES  <b>251</b>	Drawing		
	Description	Accessory package: 1/2 - 1/2 division w 100 cm, clothes rail w 50 cm	Accessory package: 1/2 - 1/2 division w 100 cm, drawer unit w 100 cm, clothes rail w 50 cm
▼ Width			
Hinged door robe ↔ 251 cm		<b>0VC3</b>	<b>0VP3</b>

Extras for HINGED door wardrobes – Standard: 2 shelves and 1 hanging rail per unit – Please order with colour code **A0066**

	Width 101 cm	Width 151 cm		Width 201 cm		Width 251 cm		
		left unit	right unit	left unit	right unit	left unit	central unit	right unit
Wardrobe units	100 cm	100 cm	50 cm	100 cm	100 cm	100 cm	50 cm	100 cm
Hanging rail	<b>9738</b> ✓	<b>9738</b> ✓	<b>9739</b> ✓	<b>9738</b> ✓	<b>9738</b> ✓	<b>9738</b> ✓	<b>9739</b> ✓	<b>9738</b> ✓
Shelf	<b>9641</b> ✓	<b>9641</b> ✓	<b>9643</b> ✓	<b>9641</b> ✓	<b>9641</b> ✓	<b>9641</b> ✓	<b>9643</b> ✓	<b>9641</b> ✓
Set of 3 shelves	<b>9631</b> ✓	<b>9631</b> ✓	<b>9633</b> ✓	<b>9631</b> ✓	<b>9631</b> ✓	<b>9631</b> ✓	<b>9633</b> ✓	<b>9631</b> ✓
Interior drawer	<b>9S88</b> ✓	<b>9S88</b> ✓	<b>9S86</b> ✓	<b>9S88</b> ✓	<b>9S88</b> ✓	<b>9S88</b> ✓	<b>9S86</b> ✓	<b>9S88</b> ✓
1/2-1/2-Division	<b>9SJ6</b> ✓	<b>9SJ6</b> ✓	<b>X</b>	<b>9SJ6</b> ✓	<b>9SJ6</b> ✓	<b>9SJ6</b> ✓	<b>X</b>	<b>9SJ6</b> ✓

For extras see **rauch ORANGE + EXTRAS a)** on pages 214-225.



# EXTRACT FROM ALDONO

rauch ORANGE +

rauch  
ORANGE





## ALDONO

Feet: Aluminium colour

Drawers: With base rail, cushioned self-closing mechanism



### Front/Carcase:



Sonoma oak colour



Artisan oak colour



Alpine white



Silk grey

### Handle variants:



M - Aluminium



N - Chrome



Very easy to plan using:

**furn plan**

RAUCH  
MÖBELPLANER



# EXTRACT FROM ALDONO

rauch ORANGE +

## Instructions for ordering:

- 1 Select the colour code for the desired colour variation from the upper table (e.g. **A022**..).



- 2 Find the identification letters for the design/colour of the handle and enter them in the space in the colour code (e.g.: **A022K**).

Handle variants:



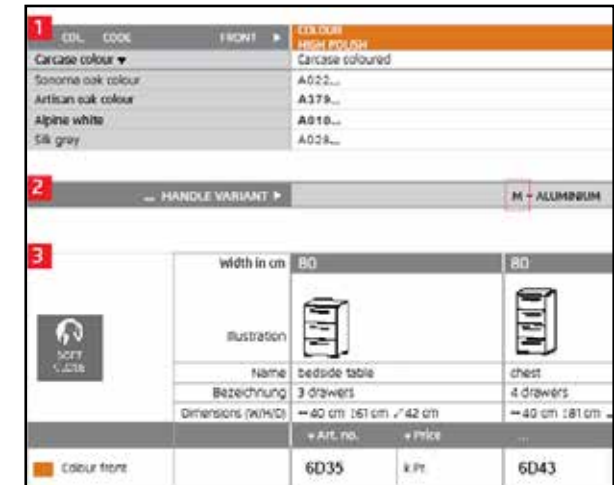
M – Aluminium





N – Chrome








- 3 Select the article no. based on the desired width. You will find the correct article no. and price for the appropriate front in the line below.



1 EDL COOK FRONT		COLOUR HIGH POLISH		
Carcase colour ▼		Carcase coloured		
Sonoma oak colour		A022..		
Artisan oak colour		A379..		
Alpine white		A010..		
Silk grey		A028..		
2 HANDLE VARIANT ▶ M – ALUMINIUM				
3		width in cm	80	80
Illustration				
Name		bedside table		chest
Bezeichnung		3 drawers		4 drawers
Dimensions (W/H/D)		→ 40 cm   161 cm   42 cm		→ 40 cm   181 cm
		Art. no.	Price	...
Colour front		6D35	€ 17,-	6D43

1		COL.	CODE	FRONT ▶	COLOUR
Carcase colour ▼		Carcase coloured			
Sonoma oak colour		A022_			
Artisan oak colour		A379_			
Alpine white		A010_			
Silk grey		A028_			

2		HANDLE VARIANT ▶	M ALUMINIUM	N CHROME
---	--	------------------	-------------	----------

3		Width in cm	80	80	80	80					
	Illustration										
	Name	bedside table	chest	chest	chest						
	Bezeichnung	3 drawers	4 drawers	4 drawers	5 drawers						
	Dimensions (W/H/D)	↔40 cm †61 cm ↗42 cm	↔40 cm †81 cm ↗42 cm	↔80 cm †81 cm ↗42 cm	↔80 cm †81 cm ↗42 cm						
		▼ Art. no.	▼ Price	...	...						
Colour front		<b>6D35</b>		<b>6D43</b>		<b>6D44</b>		<b>6D45</b>			