

# CHAMPAGNE

rauch ORANGE +

rauch  
ORANGE





Carcase / Front / Applications	Colour code
Artisan oak colour / Champagne colour glass	AV104
Graphite / Champagne colour glass	AV105
Artisan oak colour / Mirror	AV184
Graphite / Mirror	AV185



Artisan oak colour



Graphite



Champagne colour glass

■ For extras see **rauch ORANGE + EXTRAS a)** on pages 214-225.

# CHAMPAGNE

rauch ORANGE +




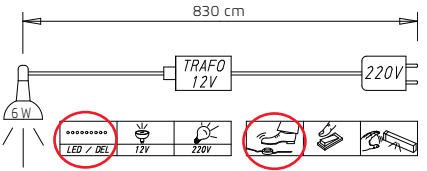
Carcase / Front	Colour code
Artisan oak colour / Champagne colour glass	AV104
Graphite / Champagne colour glass	AV105
Artisan oak colour / Mirror	AV184
Graphite / Mirror	AV185


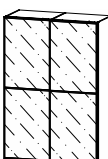
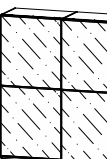
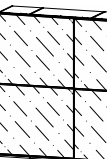
WARDROBES		Hinged door wardrobes, Front in Colour glass								
For extras see rauch ORANGE + EXTRAS a). 										
								hinged door wardrobe	hinged door wardrobe	hinged door wardrobe
								3-door, 3 glass doors	4-door, 4 glass doors	5-door, 5 glass doors
								↔151 cm †223 cm ↗61 cm	↔201 cm †223 cm ↗61 cm	↔251 cm †223 cm ↗61 cm
Article	Price	<b>5F9K</b>	<b>5F9L</b>	<b>5F9M</b>						


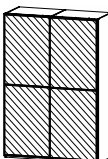
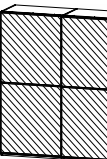
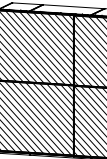
WARDROBES		Hinged door wardrobes, Front with mirror								
For extras see rauch ORANGE + EXTRAS a). 										
								hinged door wardrobe	hinged door wardrobe	hinged door wardrobe
								3-door, 3 mirror doors	4-door, 4 mirror doors	5-door, 5 mirror doors
								↔151 cm †223 cm ↗61 cm	↔201 cm †223 cm ↗61 cm	↔251 cm †223 cm ↗61 cm
		<b>5V1G</b>	<b>5V1H</b>	<b>5V1J</b>						

WARDROBES		Passepartouts in carcass colour, without lighting, for hinged door robes.						
						passepartout	passepartout	passepartout
						for hinged door robe 150cm	for hinged door robe 200cm	for hinged door robe 250cm
						↔155 cm †225 cm ↗12 cm	↔204 cm †225 cm ↗12 cm	↔254 cm †225 cm ↗12 cm
Article	Price	<b>9PF1</b>	<b>9PP1</b>	<b>9PP2</b>				

Carcase / Front	Colour code
Artisan oak colour / Champagne colour glass	AV104
Graphite / Champagne colour glass	AV105
Artisan oak colour / Mirror	AV184
Graphite / Mirror	AV185

WARDROBES		Passepartouts in carcase colour, with lighting, for hinged door robes.		
Article	Price			
		passepartout for hinged door robe 150cm with lighting	passepartout with lighting, for hinged door robe 200cm	passepartout with lighting, for hinged door robe 250cm
		↔155 cm †225 cm ↗12 cm	↔204 cm †225 cm ↗12 cm	↔254 cm †225 cm ↗12 cm
		<b>9PF2</b>	<b>9PP4</b>	<b>9PP5</b>
 <p>This product contains a light source of the energy efficiency class E. EPREL 766798</p>				

WARDROBES		Sliding door wardrobes, Front in Colour glass		
For extras see <b>rauch ORANGE +</b> EXTRAS a).  	Price			
		sliding door wardrobe 2-door, 2 glass doors	sliding door wardrobe 2-door, 2 glass doors	sliding door wardrobe 2-door, 2 glass doors
		↔152 cm †223 cm ↗68 cm	↔201 cm †223 cm ↗68 cm	↔251 cm †223 cm ↗68 cm
		<b>5TB0</b>	<b>5TB2</b>	<b>5TB3</b>

WARDROBES		Sliding door wardrobes, Front with mirror		
For extras see <b>rauch ORANGE +</b> EXTRAS a).  	Price			
		sliding door wardrobe 2-door, 2 mirror doors, with extras	sliding door wardrobe 2-door, 2 mirror doors	sliding door wardrobe 2-door, 2 mirror doors
		↔152 cm †223 cm ↗68 cm	↔201 cm †223 cm ↗68 cm	↔251 cm †223 cm ↗68 cm
		<b>5TA0</b>	<b>5TA2</b>	<b>5TA3</b>

# CHAMPAGNE


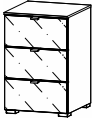

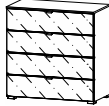
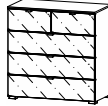
rauch ORANGE +





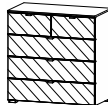
Carcase / Front	Colour code
Artisan oak colour / Champagne colour glass	AV104
Graphite / Champagne colour glass	AV105
Artisan oak colour / Mirror	AV184
Graphite / Mirror	AV185

WARDROBES		Passepartouts in carcase colour, without lighting, for sliding door robes.			
Article	Price				
		passepartout for sliding wardrobe 150cm ↔160 cm †226 cm ↗16 cm	passepartout for sliding wardrobe 200cm ↔209 cm †226 cm ↗16 cm	passepartout for sliding wardrobe 250cm ↔259 cm †226 cm ↗16 cm	
		<b>9PV3</b>	<b>9PC5</b>	<b>9P69</b>	

WARDROBES		Passepartouts in carcase colour, with lighting, for sliding door robes.				
Article	Price				<p>This product contains a light source of the energy efficiency class E. EPREL 766798</p>	
		passepartout for sliding wardrobe 150cm with lighting ↔160 cm †226 cm ↗16 cm	passepartout for sliding wardrobe 200cm with lighting ↔209 cm †226 cm ↗16 cm	passepartout for sliding wardrobe 250cm with lighting ↔259 cm †226 cm ↗16 cm		
		<b>9PV2</b>	<b>9PC4</b>	<b>9P67</b>		

Carcase / Front	Colour code
Artisan oak colour / Champagne colour glass	AV104
Graphite / Champagne colour glass	AV105
Artisan oak colour / Mirror	AV184
Graphite / Mirror	AV185

MATCHING PIECES		Drawers with base rail, cushioned self-closing mechanism.			
Matching pieces in Colour glass  					
	bedside table	chest	chest	chest	
	3 drawers, 3x with glass	4 drawers, 4x with glass	4 drawers, 4x with glass	5 drawers, 5x with glass	
	↔40 cm †61 cm ↗42 cm	↔40 cm †81 cm ↗42 cm	↔80 cm †81 cm ↗42 cm	↔80 cm †81 cm ↗42 cm	
Article	Price	<b>6G17</b>	<b>6G25</b>	<b>6G26</b>	<b>6G27</b>

MATCHING PIECES		Drawers with base rail, cushioned self-closing mechanism.			
Matching pieces with mirror  					
	bedside table	chest	chest	chest	
	3 drawers, 3x with mirror	4 drawers, 4x with mirror	4 drawers, 4x with mirror	5 drawers, 5x with mirror	
	↔40 cm †61 cm ↗42 cm	↔40 cm †81 cm ↗42 cm	↔80 cm †81 cm ↗42 cm	↔80 cm †81 cm ↗42 cm	
Article	Price	<b>6S17</b>	<b>6S25</b>	<b>6S26</b>	<b>6S27</b>

# CHAMPAGNE

rauch ORANGE +

Extras for HINGED door wardrobes – Standard: 2 shelves and 1 hanging rail per unit – Please order with colour code **A0066**



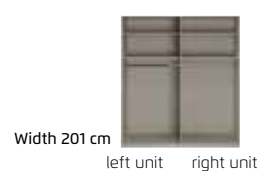
For extras see **rauch ORANGE + EXTRAS a)** on pages 214-225.

	left unit	right unit
Wardrobe units	100	50
Hanging rail	9738 ✓	9739 ✓
Shelf	9641 ✓	9643 ✓
Set of 3 shelves	9631 ✓	9633 ✓
Interior drawer	9S88 ✓	9S86 ✓
1/2-1/2-Division	9SJ6 ✓	✗

	left unit	right unit
Wardrobe units	100	100
Hanging rail	9738 ✓	9738 ✓
Shelf	9641 ✓	9641 ✓
Set of 3 shelves	9631 ✓	9631 ✓
Interior drawer	9S88 ✓	9S88 ✓
1/2-1/2-Division	9SJ6 ✓	9SJ6 ✓

	left unit	central unit	right unit
Wardrobe units	100	50	100
Hanging rail	9738 ✓	9739 ✓	9738 ✓
Shelf	9641 ✓	9643 ✓	9641 ✓
Set of 3 shelves	9631 ✓	9633 ✓	9631 ✓
Interior drawer	9S88 ✓	9S86 ✓	9S88 ✓
1/2-1/2-Division	9SJ6 ✓	✗	9SJ6 ✓

Extras for SLIDING door wardrobes – Standard: 2 shelves and 1 hanging rail per unit – Please order with colour code **A0066**



For extras see **rauch ORANGE + EXTRAS a)** on pages 214-225.

	left unit	right unit
Wardrobe units	75 cm	75 cm
Hanging rail	97K0 ✓	97K0 ✓
Shelf	96F1 ✓	96F1 ✓
Set of 3 shelves	96F3 ✓	96F3 ✓
Interior drawer	✗	✗
1/2-1/2-Division	9SJ4 ✓	9SJ4 ✓
Soft-Close	9DM1 ✓	

	left unit	right unit
Wardrobe units	100 cm	100 cm
Hanging rail	9738 ✓	9738 ✓
Shelf	9641 ✓	9641 ✓
Set of 3 shelves	9631 ✓	9631 ✓
Interior drawer	9S88 ✓	9S88 ✓
1/2-1/2-Division	9SJ6 ✓	9SJ6 ✓
Soft-Close	9DM1 ✓	

	left unit	central unit	right unit
Wardrobe units	50	100	100
Hanging rail	9739 ✓	9738 ✓	9738 ✓
Shelf	9643 ✓	9641 ✓	9641 ✓
Set of 3 shelves	9633 ✓	9631 ✓	9631 ✓
Interior drawer	9S86 ✓	✗	9S88 ✓
1/2-1/2-Division	✗	9SJ6 ✓	9SJ6 ✓
Soft-Close	9DM1 ✓		

