

AVOLA

rauch ORANGE





| Front/Carcase | Colour code |
|--------------------|-------------------|
| | black handle bars |
| Artisan oak colour | AL433 |
| alpine white | AL430 |
| champagne | AL432 |
| metallic grey | AL431 |



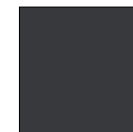
Artisan oak colour



alpine white



champagne



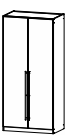
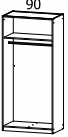
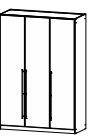
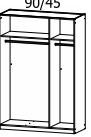


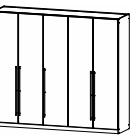
metallic grey

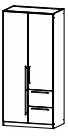
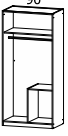

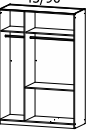


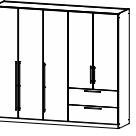
▪ For extras, see **rauch ORANGE EXTRAS HINGED** on pages 224-230.



| Col. code | Front ▶ | COLOUR |
|------------------------|---------|--------------|
| Front/carcase colour ▼ | | |
| Artisan oak colour | | AL433 |
| alpine white | | AL430 |
| champagne | | AL432 |
| metallic grey | | AL431 |

| HANDLE BARS ▶ | BLACK |
|---------------|-------|
|---------------|-------|









| HINGED DOOR WARDROBES | Width in cm | 91 | 136 | 181 | 226 | | | |
|-----------------------|----------------------|---|---|---|---|---|---|---|
| | Illustration |  |  |  |  |  |  |  |
| Name | hinged door wardrobe | | hinged door wardrobe | | hinged door wardrobe | | hinged door wardrobe | |
| Name | 2-door | | 3-door | | 4-door | | 5-door | |
| Dimensions (W/D) | ↔91 cm ↗54 cm | | ↔136 cm ↗54 cm | | ↔181 cm ↗54 cm | | ↔226 cm ↗54 cm | |
| Height 197 cm | ▼ Art. no. | ▼ Price | ... | | Height 197 cm | | | |
| colour | 38A1 | | 3732 | | 3744 | | 3845 | |
| Height 210 cm | ▼ Art. no. | ▼ Price | ... | | Height 210 cm | | | |
| Colour | 4F19 | | 4772 | | 4203 | | 4204 | |




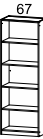




| HINGED DOOR WARDROBES WITH DRAWERS | Width in cm | 91 | 136 | 181 | 226 | | | |
|------------------------------------|----------------------|---|---|---|---|---|---|---|
| | Illustration |  |  |  |  |  |  |  |
| Name | hinged door wardrobe | | hinged door wardrobe | | hinged door wardrobe | | hinged door wardrobe | |
| Name | 2-door, 2 drawers | | 3-door, 2 drawers | | 4-door, 2 drawers | | 5-door, 2 drawers | |
| Dimensions (W/D) | ↔91 cm ↗54 cm | | ↔136 cm ↗54 cm | | ↔181 cm ↗54 cm | | ↔226 cm ↗54 cm | |
| Height 197 cm | ▼ Art. no. | ▼ Price | ... | | Height 197 cm | | | |
| colour | 38B4 | | 0HJ4 | | 0HJ5 | | 0HJ6 | |
| Height 210 cm | ▼ Art. no. | ▼ Price | ... | | Height 210 cm | | | |
| Colour | 4528 | | 0HQ7 | | 0HQ8 | | 0HQ9 | |

■ For extras, see [rauch ORANGE EXTRAS HINGED](#).

| Col. code | Front ▶ | COLOUR |
|-------------------------------|---------|--------------|
| Front/carcase colour ▼ | | |
| Artisan oak colour | | AL433 |
| alpine white | | AL430 |
| champagne | | AL432 |
| metallic grey | | AL431 |

| HANDLE BARS ▶ | BLACK |
|---------------|-------|
|---------------|-------|











| HALL WARDROBES WITH HINGED DOORS incl. 1 shelf in each element | Width in cm | 47 | 69 | 91 | 136 | |
|---|---------------|---|--|---|---|-------------|
| | Illustration |   |   |   |   | |
| | Name | hinged door wardrobe | | hinged door wardrobe | | |
| | Name | 1-door | 2-door | 2-door | 3-door | |
| Dimensions (W/D) | ↔47 cm ↗41 cm | | ↔69 cm ↗41 cm | | ↔91 cm ↗41 cm | |
| Height 197 cm | ▼ Art. no. | ▼ Price | ... | | Height 197 cm | |
| colour | 3G26 | | 3G35 | | 3G37 | 3G45 |
| Height 210 cm | ▼ Art. no. | ▼ Price | ... | | Height 210 cm | |
| Colour | 4G26 | | 4G35 | | 4G37 | 4G45 |




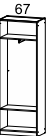






| HALL WARDROBES WITH HINGED DOORS incl. 4 shelves in each element | Width in cm | 47 | 69 | 91 | 136 | |
|---|---------------|---|--|---|---|-------------|
| | Illustration |   |   |   |   | |
| | Name | hinged door wardrobe | | hinged door wardrobe | | |
| | Name | 1-door | 2-door | 2-door | 3-door | |
| Dimensions (W/D) | ↔47 cm ↗41 cm | | ↔69 cm ↗41 cm | | ↔91 cm ↗41 cm | |
| Height 197 cm | ▼ Art. no. | ▼ Price | ... | | Height 197 cm | |
| colour | 3636 | | 39D1 | | 3637 | 3631 |
| Height 210 cm | ▼ Art. no. | ▼ Price | ... | | Height 210 cm | |
| Colour | 4636 | | 49D0 | | 4637 | 4674 |

■ For extras, see **rauch ORANGE EXTRAS HINGED**.

| Col. code | Front ▶ | COLOUR |
|------------------------|---------|--------------|
| Front/carcase colour ▼ | | |
| Artisan oak colour | | AL433 |
| alpine white | | AL430 |
| champagne | | AL432 |
| metallic grey | | AL431 |

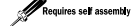



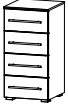

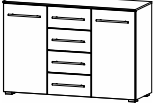

| HANDLE BARS ▶ | BLACK |
|---------------|-------|
|---------------|-------|

| SHOE/HALL WARDROBES WITH HINGED DOORS incl. 6 shoe shelves in each element | Width in cm | 47 | 69 | 91 | 136 | |
|---|----------------------|---|---|---|---|--|
| | Illustration |   |   |   |   | |
| Name | hinged door wardrobe | | hinged door wardrobe | | hinged door wardrobe | |
| Name | 1-door | | 2-door | | 3-door | |
| Dimensions (W/D) | ↔47 cm ↗41 cm | | ↔69 cm ↗41 cm | | ↔91 cm ↗41 cm | |
| Height 197 cm | ▼ Art. no. | ▼ Price | ... | | Height 197 cm | |
|  colour | 3917 | | 3919 | 3153 | 3G65 | |
| Height 210 cm | ▼ Art. no. | ▼ Price | ... | | Height 210 cm | |
|  Colour | 4G47 | | 4G61 | 4G63 | 4G65 | |

| SHOE/HALL WARDROBES WITH HINGED DOORS width 47, 69 cm incl. 2 shelves and 1 extending rail holder width 91, 136 cm incl. 1 shelf, 1 extending rail holder and 6 shoe shelves | Width in cm | 47 | 69 | 91 | 136 | |
|--|----------------------|---|---|---|---|--|
| | Illustration |   |   |   |   | |
| Name | hinged door wardrobe | | hinged door wardrobe | | hinged door wardrobe | |
| Name | 1-door | | 1-door | | 3-door | |
| Dimensions (W/D) | ↔47 cm ↗41 cm | | ↔69 cm ↗41 cm | | ↔91 cm ↗41 cm | |
| Height 197 cm | ▼ Art. no. | ▼ Price | ... | | Height 197 cm | |
|  colour | 3G79 | | 3918 | 3152 | 3G85 | |
| Height 210 cm | ▼ Art. no. | ▼ Price | ... | | Height 210 cm | |
|  Colour | 4G79 | | 4G81 | 4G83 | 4G85 | |

| Col. code | Front ▶ | COLOUR | |
|-------------------------------|---------|--------------|--|
| Front/carcase colour ▼ | | | |
| Artisan oak colour | | AL433 | |
| alpine white | | AL430 | |
| champagne | | AL432 | |
| metallic grey | | AL431 | |

| HANDLE BARS ▶ | BLACK |
|---------------|-------|
|---------------|-------|

| <p>MATCHING PIECES flat packed   Drawers with cushioned self-closing mechanism.</p> | Width in cm | 40 | 40 | 40 | 80 | 120 |
|--|--------------------|---|--|---|---|---|
| | Illustration |  |  |  |  |  |
| | Name | bedside table | bedside tables, pair | chest | chest | chest |
| | Name | 3 drawers | 3 drawers | 4 drawers | 4 drawers | 2-door, 4 drawers |
| | Dimensions (W/H/D) | ↔40 cm ↑61 cm ↗42 cm | ↔40 cm ↑61 cm ↗42 cm | ↔40 cm ↑81 cm ↗42 cm | ↔80 cm ↑81 cm ↗42 cm | ↔120 cm ↑81 cm ↗42 cm |
| | ▼ Art. no. | ▼ Price | ... | | | |
|  colour | 69JD | 69KD | 69QD | 69RD | 69BD | |

Extras for HINGED door wardrobes – Please order with colour code **A0033**

| | Width 90 cm | Width 136 cm | | Width 181 cm | | Width 226 cm | | |
|------------------|-------------|--------------|------------|--------------|------------|--------------|--------------|------------|
| | | left unit | right unit | left unit | right unit | left unit | central unit | right unit |
| Wardrobe units | 90 | 90 | 45 | 90 | 90 | 90 | 45 | 90 |
| Hanging rail | 9736 ✓ | 9736 ✓ | 9737 ✓ | 9736 ✓ | 9736 ✓ | 9736 ✓ | 9737 ✓ | 9736 ✓ |
| Shelf | 9604 ✓ | 9604 ✓ | 9601 ✓ | 9604 ✓ | 9604 ✓ | 9604 ✓ | 9601 ✓ | 9604 ✓ |
| Set of 3 shelves | 9605 ✓ | 9605 ✓ | 9602 ✓ | 9605 ✓ | 9605 ✓ | 9605 ✓ | 9602 ✓ | 9605 ✓ |
| Interior drawer | 9895 ✓ | 9895 ✓ | 9893 ✓ | 9895 ✓ | 9895 ✓ | 9895 ✓ | 9893 ✓ | 9895 ✓ |
| 1/2-1/2-Division | 9951 ✓ | 9951 ✓ | ✗ | 9951 ✓ | 9951 ✓ | 9951 ✓ | ✗ | 9951 ✓ |

For extras, see [rauch ORANGE EXTRAS HINGED](#) on pages 224-230.

Extras for HINGED door wardrobes – Please order with colour code **A0033**

Width 90 cm - Combi



Width 136 cm - Combi



Width 181 cm - Combi



Width 226 cm - Combi



| | |
|------------------|--|
| Wardrobe units | |
| Hanging rail | |
| Shelf | |
| Set of 3 shelves | |
| Interior drawer | |
| 1/2-1/2-Division | |

| |
|------------------|
| 90 |
| 9736 ✓ |
| 9604 ✓ |
| 9605 ✓ |
| ✗ |
| ✗ |

| | |
|------------------|------------------|
| left unit | right unit |
| 45 | 90 |
| 9737 ✓ | 9736 ✓ |
| 9601 ✓ | 9604 ✓ |
| 9602 ✓ | 9605 ✓ |
| 9893 ✓ | ✗ |
| ✗ | ✗ |

| | |
|------------------|------------------|
| left unit | right unit |
| 90 | 90 |
| 9736 ✓ | 9736 ✓ |
| 9604 ✓ | 9604 ✓ |
| 9605 ✓ | 9605 ✓ |
| 9895 ✓ | ✗ |
| 9951 ✓ | ✗ |

| | | |
|------------------|------------------|------------------|
| left unit | central unit | right unit |
| 90 | 45 | 90 |
| 9736 ✓ | 9737 ✓ | 9736 ✓ |
| 9604 ✓ | 9601 ✓ | 9604 ✓ |
| 9605 ✓ | 9602 ✓ | 9605 ✓ |
| 9895 ✓ | 9893 ✓ | ✗ |
| 9951 ✓ | ✗ | ✗ |

For extras, see **rauch ORANGE EXTRAS HINGED** on pages 224-230.