

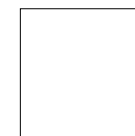
ACERO

rauch ORANGE





Front/Carcase	Colour code
alpine white, handles alpine white	AG967
metallic grey, handles metallic grey	AG968
Artisan oak colour, handles metallic grey	AG969



alpine white



metallic grey

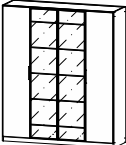

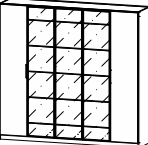
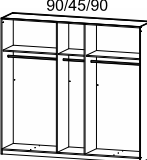
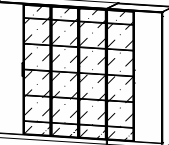
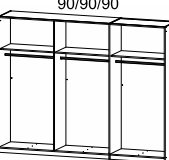


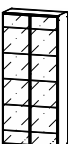

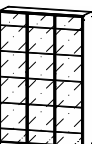

Artisan oak colour




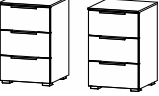
rauch ORANGE

■ For extras, see **rauch ORANGE EXTRAS HINGED** on pages 224-230.

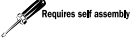




Front/Carcase	Colour code
alpine white, handles alpine white	AG967
metallic grey, handles metallic grey	AG968
Artisan oak colour, handles metallic grey	AG969

WARDROBES		Hinged door wardrobes				
<p>For extras see rauch ORANGE EXTRAS HINGED.</p> <p>Wardrobe depth = 54 cm</p>						
	hinged door wardrobe		hinged door wardrobe		hinged door wardrobe	
	4-door, 2 Mirror doors		5-door, 3 Mirror doors		6-door, 4 Mirror doors	
	↔181 cm †210 cm ↗54 cm		↔226 cm †210 cm ↗54 cm		↔271 cm †210 cm ↗54 cm	
Article		57A7	57A8	57A9		

WARDROBES		Hall wardrobes with hinged doors.				
<p>For extras see rauch ORANGE EXTRAS HINGED</p> <p>Wardrobe depth = 41 cm</p>						
	hinged door wardrobe		hinged door wardrobe			
	2-door, 2 Mirror doors		3-door, 3 Mirror doors			
	↔91 cm †210 cm ↗41 cm		↔136 cm †210 cm ↗41 cm			
Article		5J85	5J86			

MATCHING PIECES		Bedside tables		
<p>flat packed  Requires self assembly</p> <p> SOFT CLOSE</p> <p>Drawers with cushioned self-closing mechanism.</p>				
	bedside table		bedside tables, pair	
	3 drawers		3 drawers	
	↔40 cm †61 cm ↗42 cm		↔40 cm †61 cm ↗42 cm	
Article		69JD	69KD	

Front/Carcase	Colour code
alpine white, handles alpine white	AG967
metallic grey, handles metallic grey	AG968
Artisan oak colour, handles metallic grey	AG969

MATCHING PIECES		Chests		
flat packed   Drawers with cushioned self-closing mechanism.				
	chest	chest	chest	
	4 drawers	4 drawers	5 drawers	
	↔40 cm †81 cm ↗42 cm	↔80 cm †81 cm ↗42 cm	↔80 cm †81 cm ↗42 cm	
Article	69QD	69RD	69WD	

Article				
---------	--	--	--	--

Article				
---------	--	--	--	--

Extras for HINGED door wardrobes – Standard: 1 shelf and 1 hanging rail per unit – Please order with Colour code **A0033**

Wardrobe depth = 54 cm

Width 181 cm



Width 226 cm



Width 270 cm



Wardrobe units
Hanging rail
Shelf
Set of 3 shelves
Interior drawer
1/2-1/2-Division

	left unit	right unit
Wardrobe units	90	90
Hanging rail	9736 ✓	9736 ✓
Shelf	9604 ✓	9604 ✓
Set of 3 shelves	9605 ✓	9605 ✓
Interior drawer	9895 ✓	9895 ✓
1/2-1/2-Division	9951 ✓	9951 ✓

	left unit	central unit	right unit
Wardrobe units	90	45	90
Hanging rail	9736 ✓	9737 ✓	9736 ✓
Shelf	9604 ✓	9601 ✓	9604 ✓
Set of 3 shelves	9605 ✓	9602 ✓	9605 ✓
Interior drawer	9895 ✓	9893 ✓	9895 ✓
1/2-1/2-Division	9951 ✓	✗	9951 ✓

	left unit	central unit	right unit
Wardrobe units	90	90	90
Hanging rail	9736 ✓	9736 ✓	9736 ✓
Shelf	9604 ✓	9604 ✓	9604 ✓
Set of 3 shelves	9605 ✓	9605 ✓	9605 ✓
Interior drawer	9895 ✓	9895 ✓	9895 ✓
1/2-1/2-Division	9951 ✓	9951 ✓	9951 ✓

For extras, see [rauch ORANGE EXTRAS HINGED](#) on pages 224-230.



rauch ORANGE