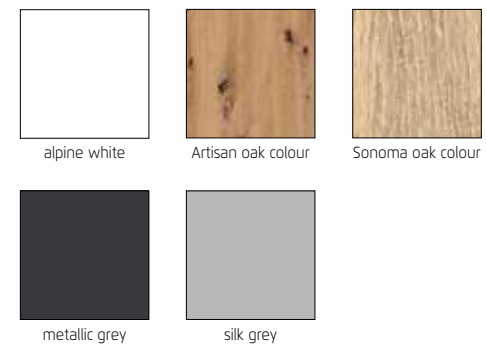




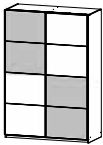
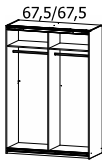
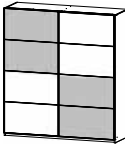


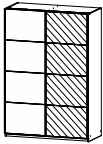
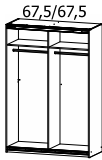
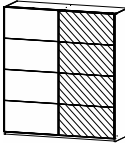
Front/Carcase	Colour code		
	applications in carcass colour	applications alpine white	applications metallic grey
Artisan oak colour	AC331	AC332	AC333
Sonoma oak colour	AP696	AP697	AP698
alpine white	A9554	-	A9482
silk grey	AD568	AD567	-
metallic grey	AD765	AD766	-



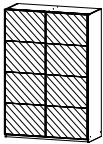
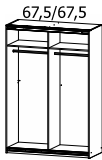
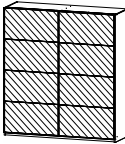
▪ For extras, see **rauch ORANGE EXTRAS SLIDING** on pages 244-254.

Front/Carcase	Colour code		
	appl. carcass coloured	appl. alpine white	appl. metallic grey
Artisan oak colour	AC331	AC332	AC333
Sonoma oak colour	AP696	AP697	AP698
alpine white	A9554	-	A9482
silk grey	AD568	AD567	-
metallic grey	AD765	AD766	-

WARDROBES		Sliding door wardrobes, partitioned front.		
For extras, see rauch ORANGE EXTRAS SLIDING.				
	sliding door wardrobe 2-door ↔136 cm †197 cm ↗61 cm		sliding door wardrobe 2-door ↔181 cm †197 cm ↗61 cm	
	Article	Price	<b>3817</b>	<b>3818</b>

WARDROBES		Sliding door wardrobes, partitioned front.		Wardrobes art. no. 2840 and 2850 are only available with the following colour codes:
For extras, see rauch ORANGE EXTRAS SLIDING.				
	sliding door wardrobe 2-door, 1 mirror door ↔136 cm †197 cm ↗61 cm		sliding door wardrobe 2-door, 1 mirror door ↔181 cm †197 cm ↗61 cm	
	Article	Price	<b>2840</b>	<b>2850</b>

Front/Carcase	Colour code
Artisan oak colour	AC331
Sonoma oak colour	AP696
alpine white	A9554
silk grey	AD568
metallic grey	AD765

WARDROBES		Sliding door wardrobes, partitioned front.		Wardrobes art. no. 2858 and 2859 are only available with the following colour codes:
For extras, see rauch ORANGE EXTRAS SLIDING.				
	sliding door wardrobe 2-door, 2 mirror doors ↔136 cm †197 cm ↗61 cm		sliding door wardrobe 2-door, 2 mirror doors ↔181 cm †197 cm ↗61 cm	
	Article	Price	<b>2858</b>	<b>2859</b>

Front/Carcase	Colour code
Artisan oak colour	AC331
Sonoma oak colour	AP696
alpine white	A9554
silk grey	AD568
metallic grey	AD765

Extras for SLIDING door wardrobes – Standard: 1 shelf and 1 hanging rail per unit – Please order with colour code **A0033**

Width 136 cm



Width 180 cm



Wardrobe units
Hanging rail 
Shelf 
Set of 3 shelves 
Interior drawer 
1/2-1/2-Division 
Soft-Close 

	left unit	right unit
	67,5	67,5
	<b>9743</b> ✓	<b>9743</b> ✓
	<b>9668</b> ✓	<b>9668</b> ✓
	<b>9670</b> ✓	<b>9670</b> ✓
	<b>9860</b> ✓	<b>9860</b> ✓
	<b>X</b>	<b>X</b>
	<b>9DC2</b> ✓	

	left unit	right unit
	90	90
	<b>9736</b> ✓	<b>9736</b> ✓
	<b>9672</b> ✓	<b>9672</b> ✓
	<b>9674</b> ✓	<b>9674</b> ✓
	<b>9866</b> ✓	<b>9866</b> ✓
	<b>9991</b> ✓	<b>9991</b> ✓
	<b>9DC2</b> ✓	

For extras see [rauch ORANGE EXTRAS SLIDING](#) on pages 244-254.