


Brand	Description		Element width	Colour code	Page
	rauch BLUE				
	EXTRAS HINGED for hinged door wardrobes	Alba, Alvor, Arnstein, Celle, Celle-Extra, Celle-Matt, Celle-Super, Elia, Ella, Velora	45, 67.5, 90, 112.5 cm	A0031	68-73
	EXTRAS SLIDING for sliding door wardrobes	Sajo, Slide	65, 87.5, 109 cm	A0039	74-75
	Mattress supports, UK-plugs		–	A0033	76

EXTRAS HINGED

rauch BLUE

For hinged door wardrobes



Colour

Texline Natural-colour linen look




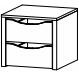
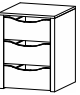
Colour code




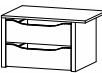

A0031



Texline colour

Colour	Colour code
Texline Natural-colour linen look	A0031

ELEMENT WIDTH ▶		45	45	45	45	45
						
		Shelf for unit width 45cm ↔43 cm ↓1,6 cm ↗45 cm	Shoe shelves with profiles for unit width 45cm ↔43 cm ↓1,6 cm ↗37 cm	hanging rail for unit width 45cm ↔43 cm ↓3 cm ↗2 cm	interior drawer with 2 drawers for unit width 45cm ↔43 cm ↓39 cm ↗45 cm	interior drawer with 3 drawers for unit width 45cm ↔43 cm ↓57 cm ↗45 cm
1 pieces		9601		9737	9843	9893
Set of 2		9F22	9FE2			
Set of 3		9602	9FE3			
Set of 5		9603				





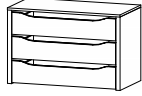
ELEMENT WIDTH ▶		67,5	67,5	67,5	67,5	67,5
						
		Shelf for unit width 66cm ↔66 cm ↓1,6 cm ↗45 cm	Shoe shelves with profiles for unit width 66cm ↔66 cm ↓1,6 cm ↗37 cm	hanging rail for unit width 66cm ↔65 cm ↓3 cm ↗2 cm	interior drawer with 2 drawers for unit width 66cm ↔66 cm ↓39 cm ↗45 cm	interior drawer with 3 drawers for unit width 66cm ↔66 cm ↓57 cm ↗45 cm
1 pieces		9F11		9743	9864	9860
Set of 2		9F12	9FG2			
Set of 3		9F13	9FG3			
Set of 5		9F18				

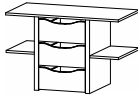
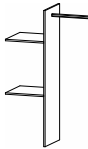
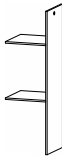
EXTRAS HINGED

rauch BLUE



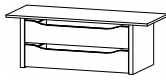
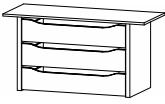

unit width 45, 67.5, 90, 112.5 cm


Colour	Colour code
Texline Natural-colour linen look	A0031

ELEMENT WIDTH ▶		90	90	90	90	90
						
		Shelf for unit width 90cm ↔88 cm ↓1,6 cm ↗45 cm	Shoe shelves with profiles for unit width 90cm ↔88 cm ↓1,6 cm ↗37 cm	hanging rail for unit width 90cm ↔87 cm ↓3 cm ↗2 cm	interior drawer with 2 drawers for unit width 90cm ↔88 cm ↓39 cm ↗45 cm	interior drawer with 3 drawers for unit width 90cm ↔88 cm ↓57 cm ↗45 cm
1 pieces		9604		9736	9845	9895
Set of 2		9F21	9FH2			
Set of 3		9605	9FH3			
Set of 5		9606				

ELEMENT WIDTH ▶		90	90	90	
					interior division not possible for elements with drawers!
		interior drawer for unit width 90cm with 3 drawers with shelves ↔88 cm ↓57 cm ↗45 cm	wardrobe interior division with clothes rail with 2 shelves for unit width 90cm ↔88 cm ↓147 cm ↗45 cm	wardrobe interior division with 2 shelves ↔45 cm ↓147 cm ↗45 cm	
Article		9898	9951	9934	

Colour	Colour code
Textline Natural-colour linen look	A0031

ELEMENT WIDTH ▶		112.5	112.5	112.5	112.5	112.5
Design constraints necessitate a shelf thickness of 2.2 cm on unit widths of 112.5 cm.						
		Shelf for unit width 112,5cm ↔111 cm ↓2,2 cm ↗48 cm	hanging rail for unit width 112,5cm ↔110 cm ↓3 cm ↗2 cm	interior drawer with 2 drawers for unit width 112,5cm ↔111 cm ↓39 cm ↗45 cm	interior drawer with 3 drawers for unit width 112,5cm ↔111 cm ↓57 cm ↗45 cm	wardrobe interior division with clothes rail with 2 shelves for unit width 112,5cm ↔110 cm ↓147 cm ↗48 cm
		1 pieces	9F01	9709	9804	9806
Set of 2		9F02				interior division not possible for elements with drawers!
Set of 3		9F03				

ELEMENT WIDTH ▶		112.5
		
		wardrobe interior division with 2 shelves for unit width 90 and 112 cm ↔45 cm ↓147 cm ↗48 cm
		Article
		9955
interior division not possible for elements with drawers!		

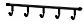



GENERAL		Hinged-door damper
		
		Hinged-door damper
		Set of 5
		9DD5
Set of 10		9DD0

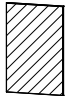
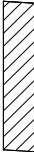

EXTRAS HINGED

rauch BLUE

General

Colour	Colour code
Texline Natural-colour linen look	A0031

GENERAL		Hooks, trouser holder, coat hanger rail, tie rack			
					
		hooks	trouser holder	coat hanger rail	tie rack
					swivelling
		↔35 cm ↓5 cm ↗5 cm	↔25 cm ↓7 cm ↗46 cm	↔7 cm ↓52 cm ↗28 cm	↔32 cm ↓27 cm ↗6 cm
Article		9HL1	990H	9767	9768

GENERAL		Mirrors		
				
		wall mirror	interior mirror	interior mirror hinged
			for hinged doors	extends from 45 to 73 cm mirror width 31 cm for sliding wardrobe
		↔60 cm ↓90 cm ↗2 cm	↔29 cm ↓130 cm ↗0 cm	↔46 cm ↓115 cm ↗4 cm
Article		98A7	98S8	9408

Colour	Colour code
Texline Natural-colour linen look	A0031

GENERAL		Lighting
		LED interior lighting with motion sensor with USB rechargeable ↔10 cm ;2 cm ↗9 cm
Article		9T1B

GENERAL		Lighting
		set of 2 LED lights aluminium Linea-Stixx ↔35 cm ;6 cm ↗19 cm
Set of 2		9L48
Set of 3		9L49

This product contains a light source of the energy efficiency class G.

EPREL 766530

EXTRAS SLIDING

rauch BLUE

For sliding door wardrobes









Colour	Colour code
Texline Natural-colour linen look	A0039









Texline colour

for unit width 65, 87, 109 cm

Colour	Colour code
Texline (natural-colour linen look)	A0039




ELEMENT WIDTH ▶		65	87	109	65	87	109
Design constraints necessitate a shelf thickness of 2.2 cm on unit widths of 109 cm.		NOT for wardrobe height 191 cm! 	NOT for wardrobe height 191 cm! 	NOT for wardrobe height 191 cm! 			
		Shelf for unit width 65 cm	Shelf for unit width 87 cm	Shelf for unit width 109 cm	hanging rail for unit width 65 cm	hanging rail for unit width 87 cm	hanging rail for unit width 109 cm
		↔63 cm ↑1,6 cm ↗45 cm	↔85 cm ↑1,6 cm ↗45 cm	↔107 cm ↑2,2 cm ↗45 cm	↔63 cm ↑3 cm ↗2 cm	↔84 cm ↑3 cm ↗2 cm	↔106 cm ↑3 cm ↗2 cm
1 pieces	94W1	97W1	98W1	97K1	9724	9762	
Set of 2	97W0	97W2	98W2	---	---	---	
Set of 3	94W3	97W3	98W3	---	---	---	
Set of 5	94W5	97W5	---	---	---	---	

GENERAL		Drawer unit and interior division match all unit widths.				
		ONLY for wardrobe height 191 cm! 	ONLY for wardrobe height 191 cm! 		NOT for wardrobe height 191 cm! 	
		set of 2 shelves	set of 2 shelves	interior drawer with 2 drawers	wardrobe interior division with 2 shelves	hooks
		↔85 cm ↑2 cm ↗40 cm	↔63 cm ↑2 cm ↗40 cm	↔58 cm ↑39 cm ↗45 cm	↔45 cm ↑147 cm ↗45 cm	↔35 cm ↑5 cm ↗5 cm
Article	91F5	91F6	9846	9934	9HL1	

GENERAL						
						
		set of 2 dampers for sliding wardrobes				
		Cushions the door stop on the outer panels of the wardrobe.				
Article	9TDD					

Colour	Colour code
Texline Natural-colour linen look	A0033

EXTRAS		Plug			
Article			UK plug		
			3-piin socket		
			↔5 cm ↕5 cm ↗6 cm		
			9813		

EXTRAS		Mattress supports				
Article		2 mattress supports are required for beds in size 160 cm	2 mattress supports are required for beds in size 180 cm			
						
		slat	slat			slat
		80x200	90x200			140x200
		↔79 cm ↕6 cm ↗196 cm	↔89 cm ↕6 cm ↗196 cm	↔139 cm ↕5 cm ↗196 cm		
		9699	9954	8958		

