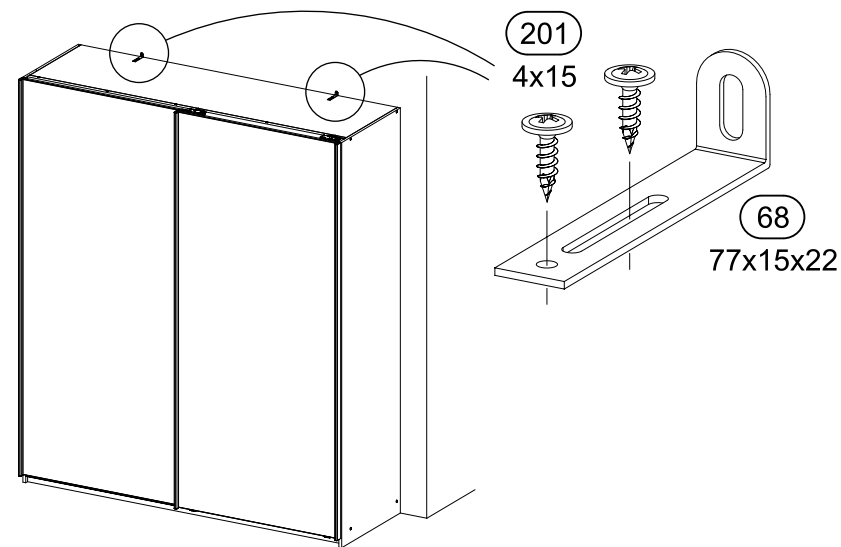
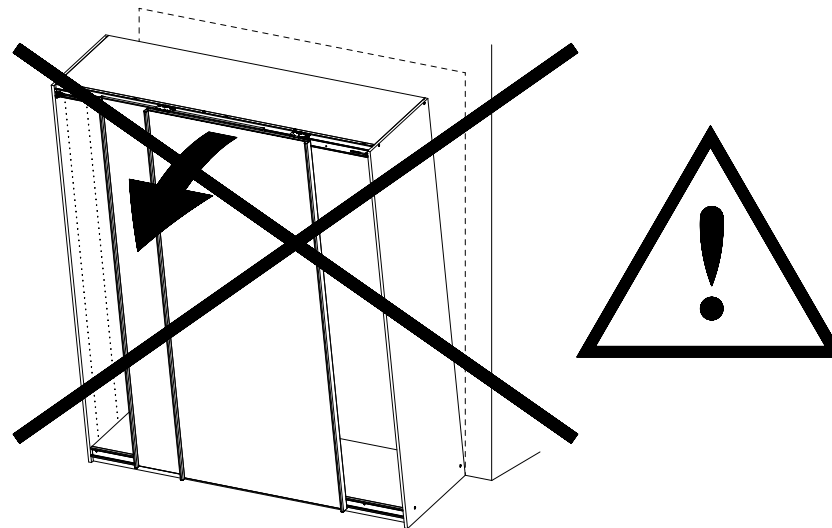
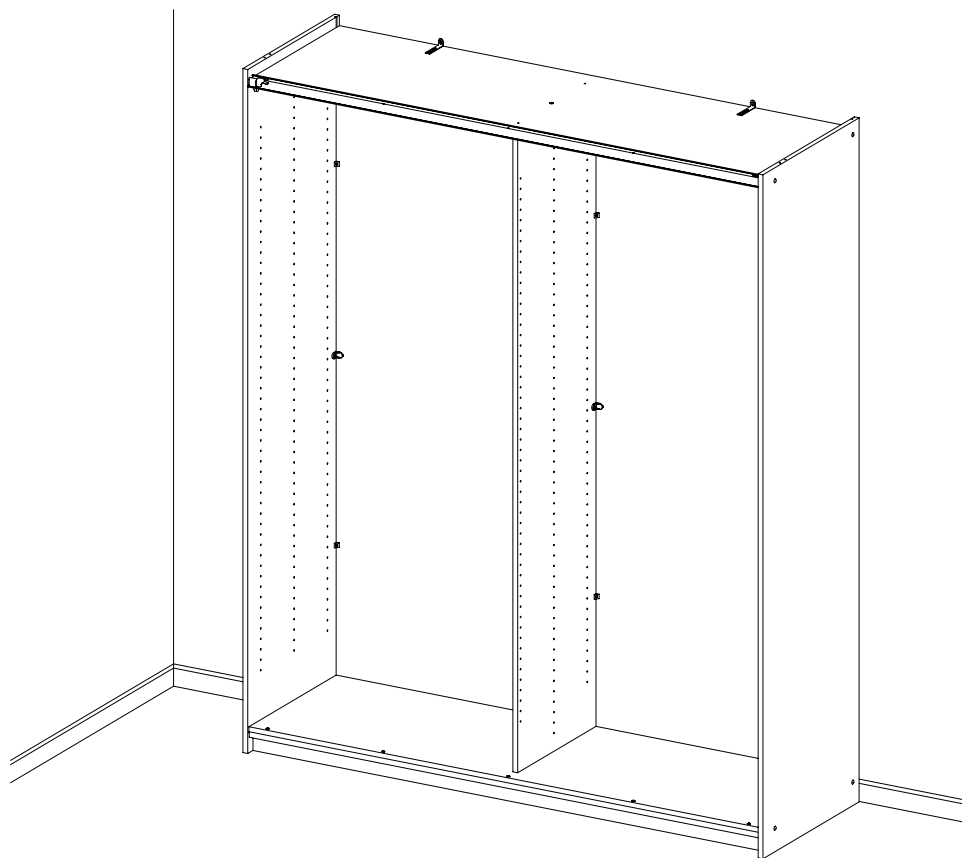
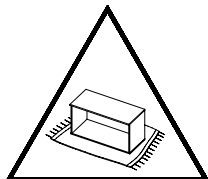
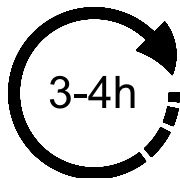
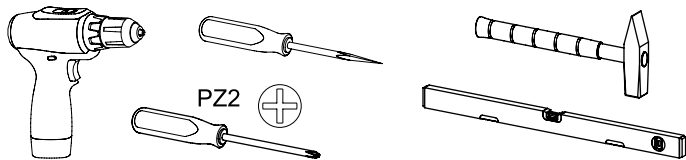


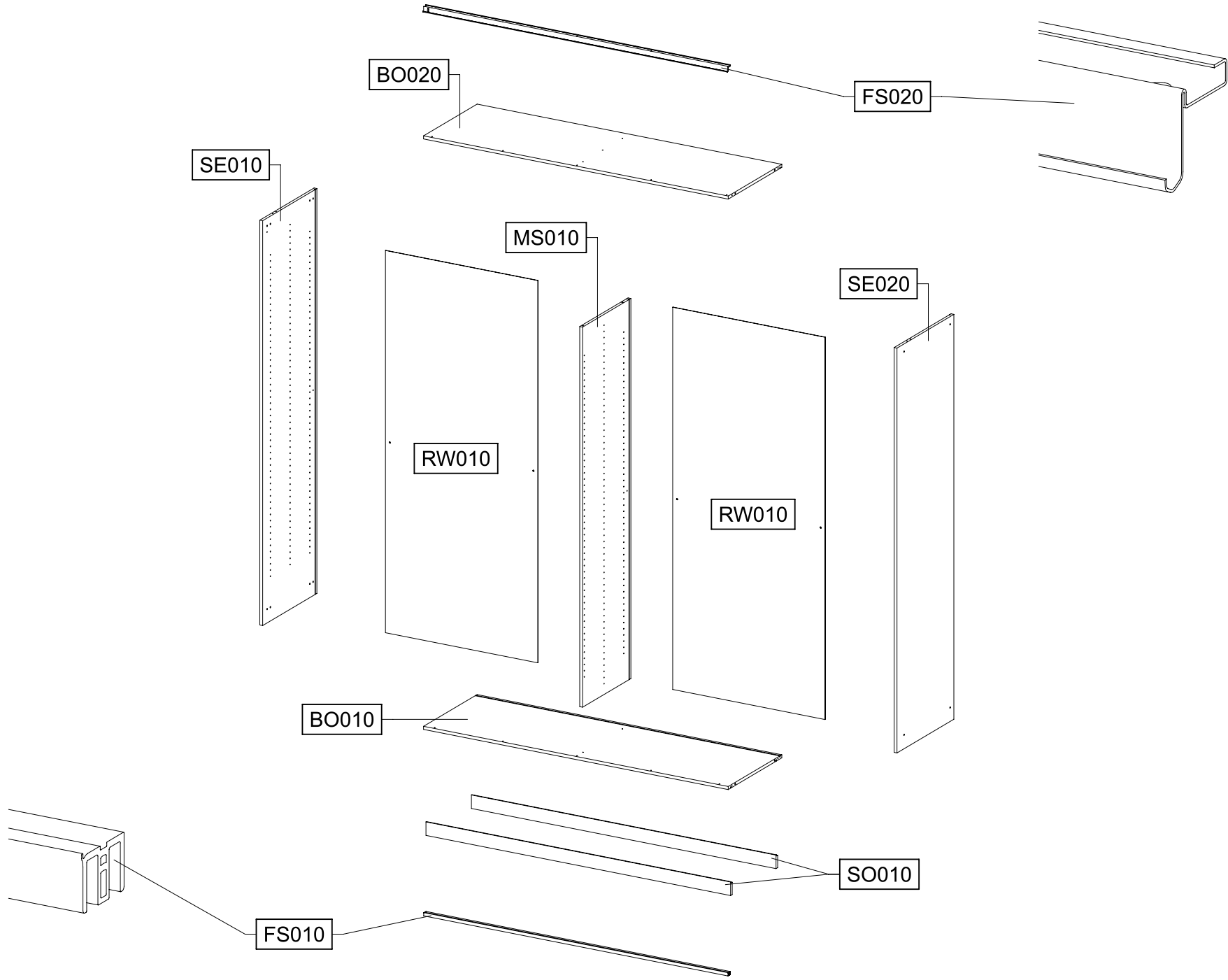
M2660_03

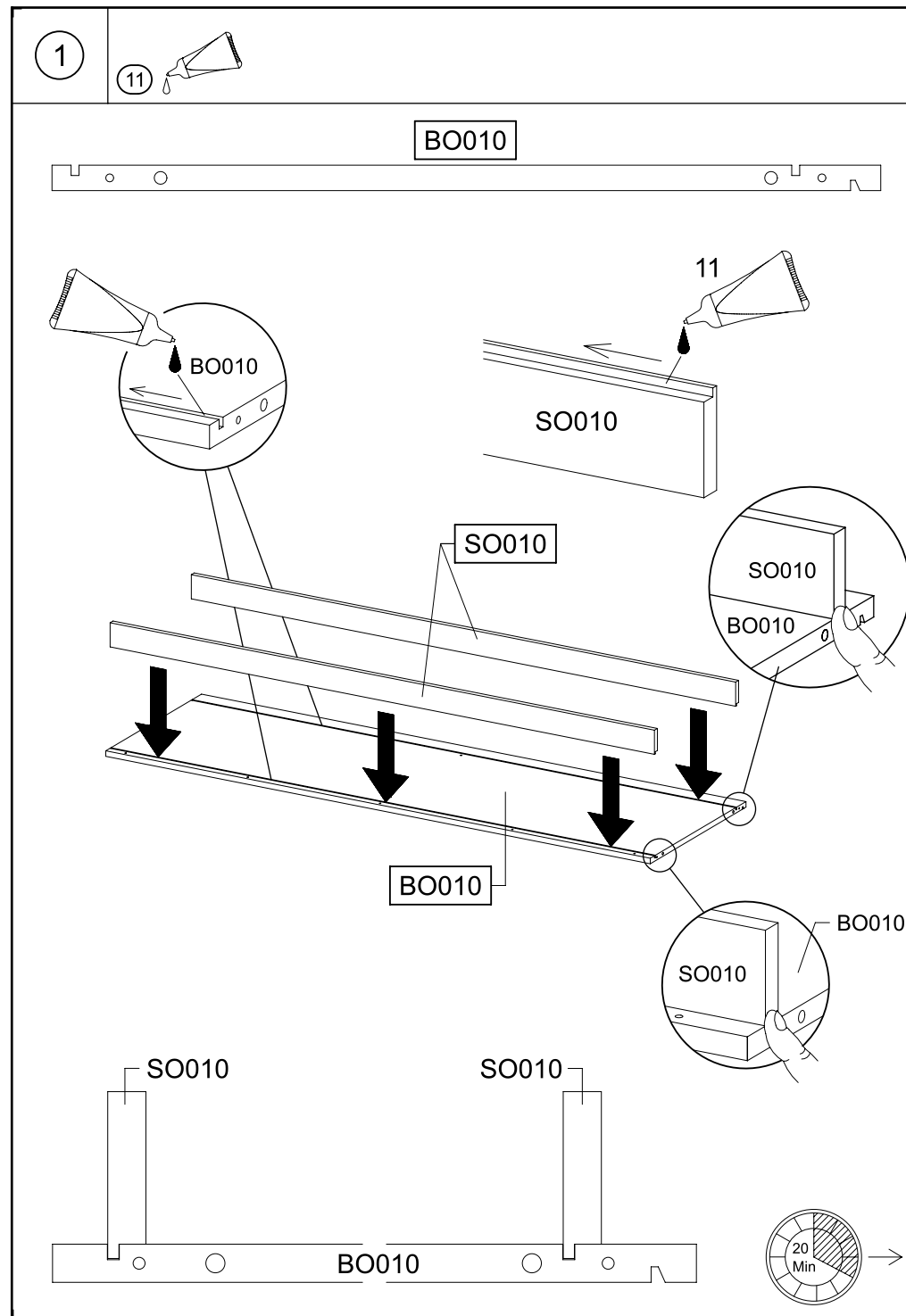
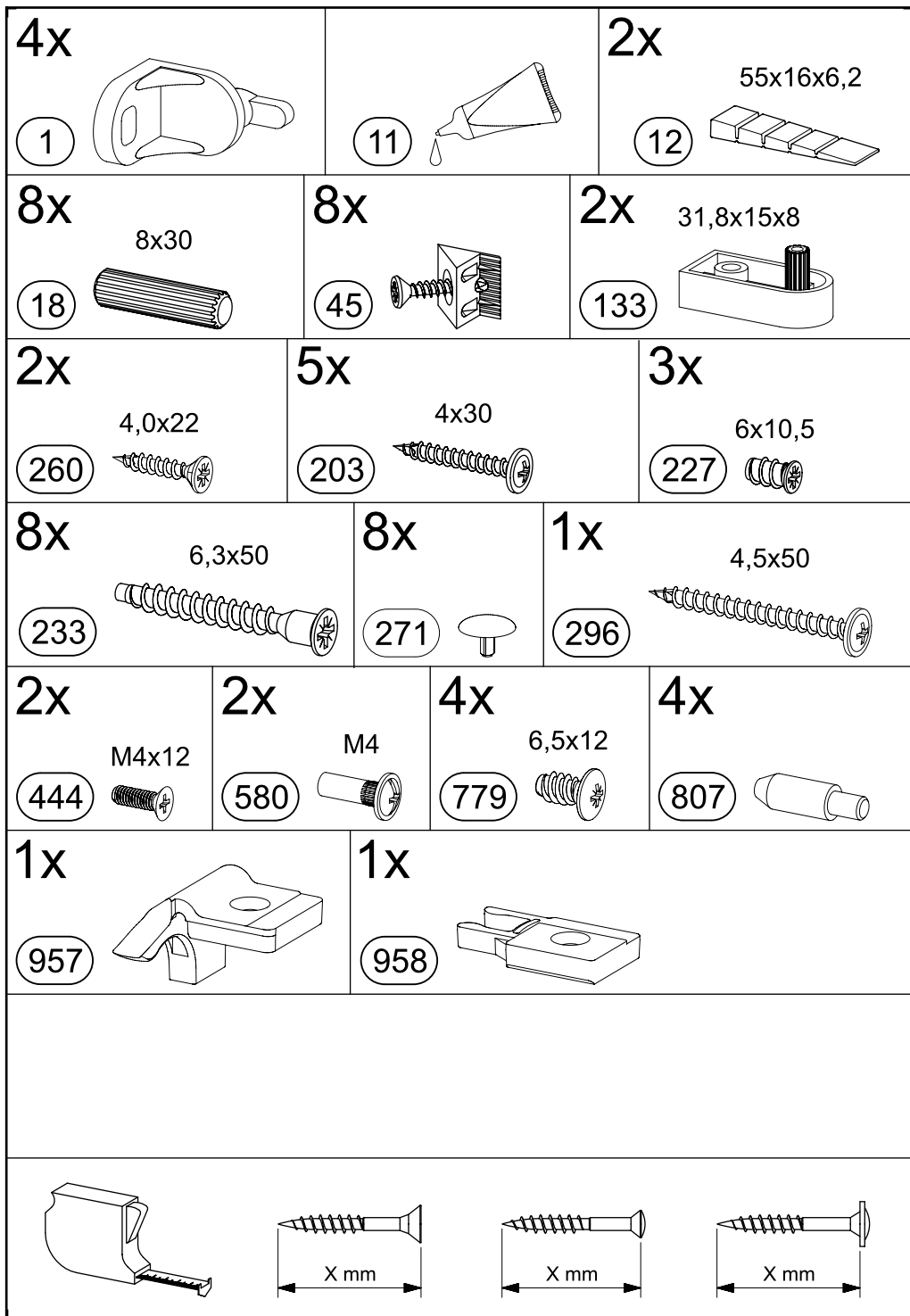


VIDEO



SCAN ME



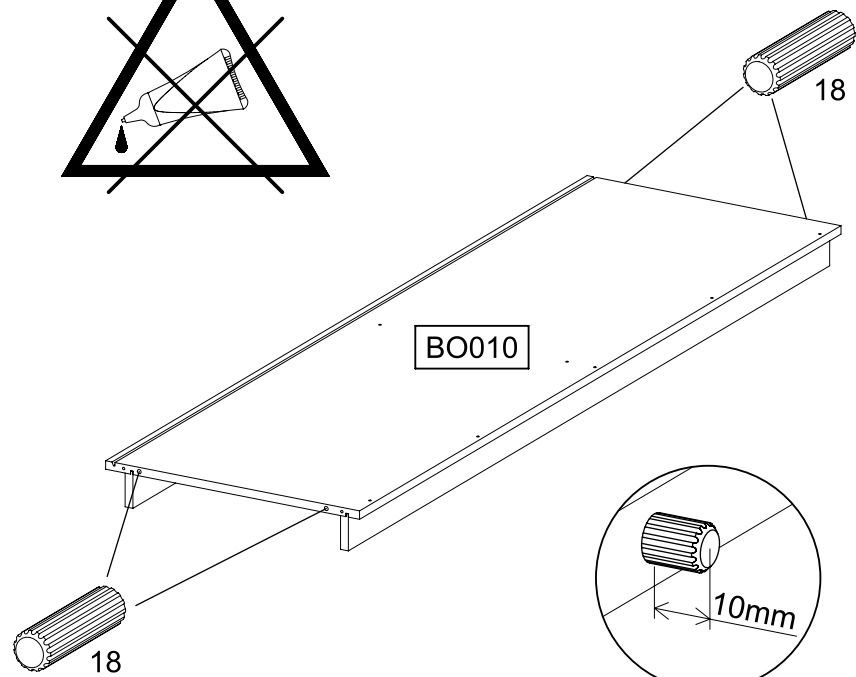
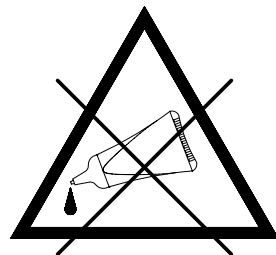
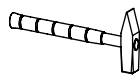


2

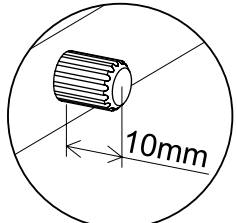
4x

18

8x30



BO010



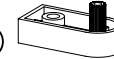
BO010

3

1x

133

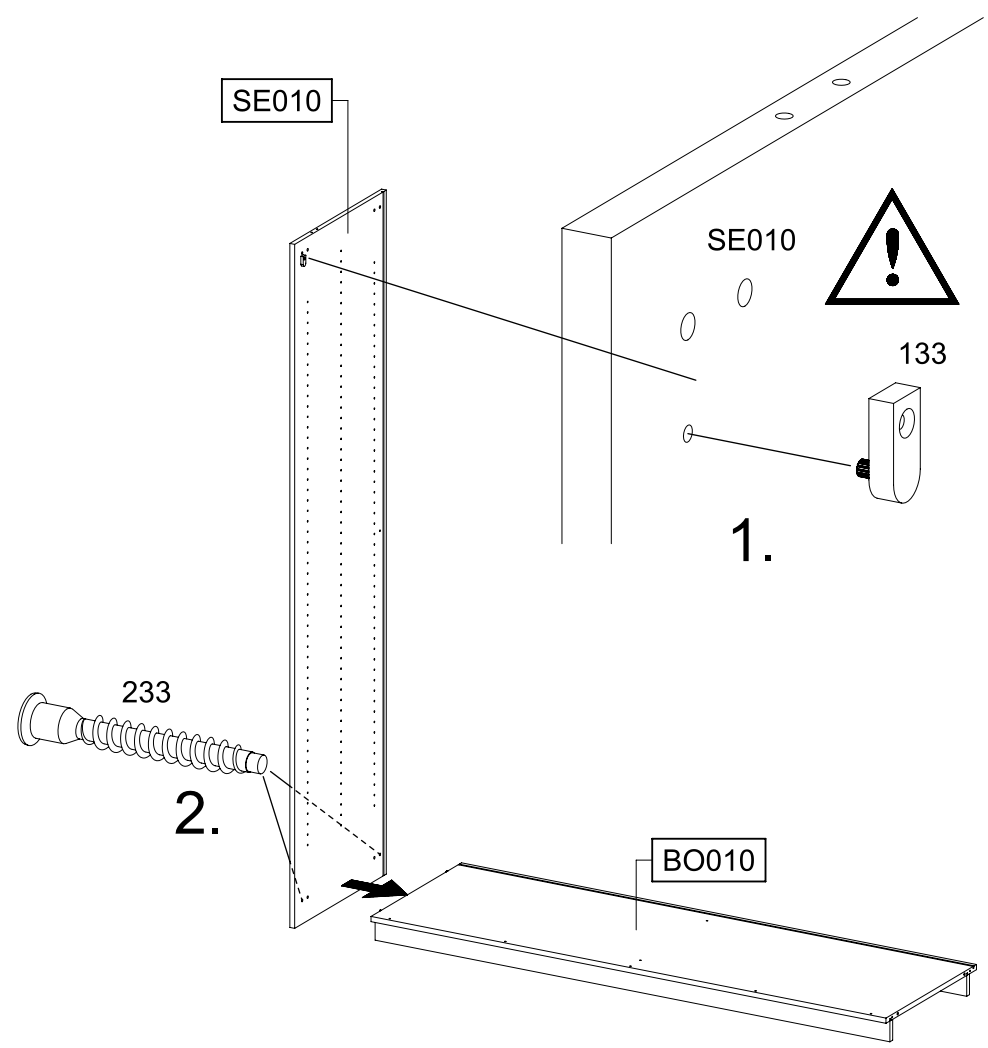
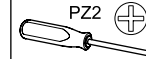
31,8x15x8



2x

233

6,3x50



SE010

SE010

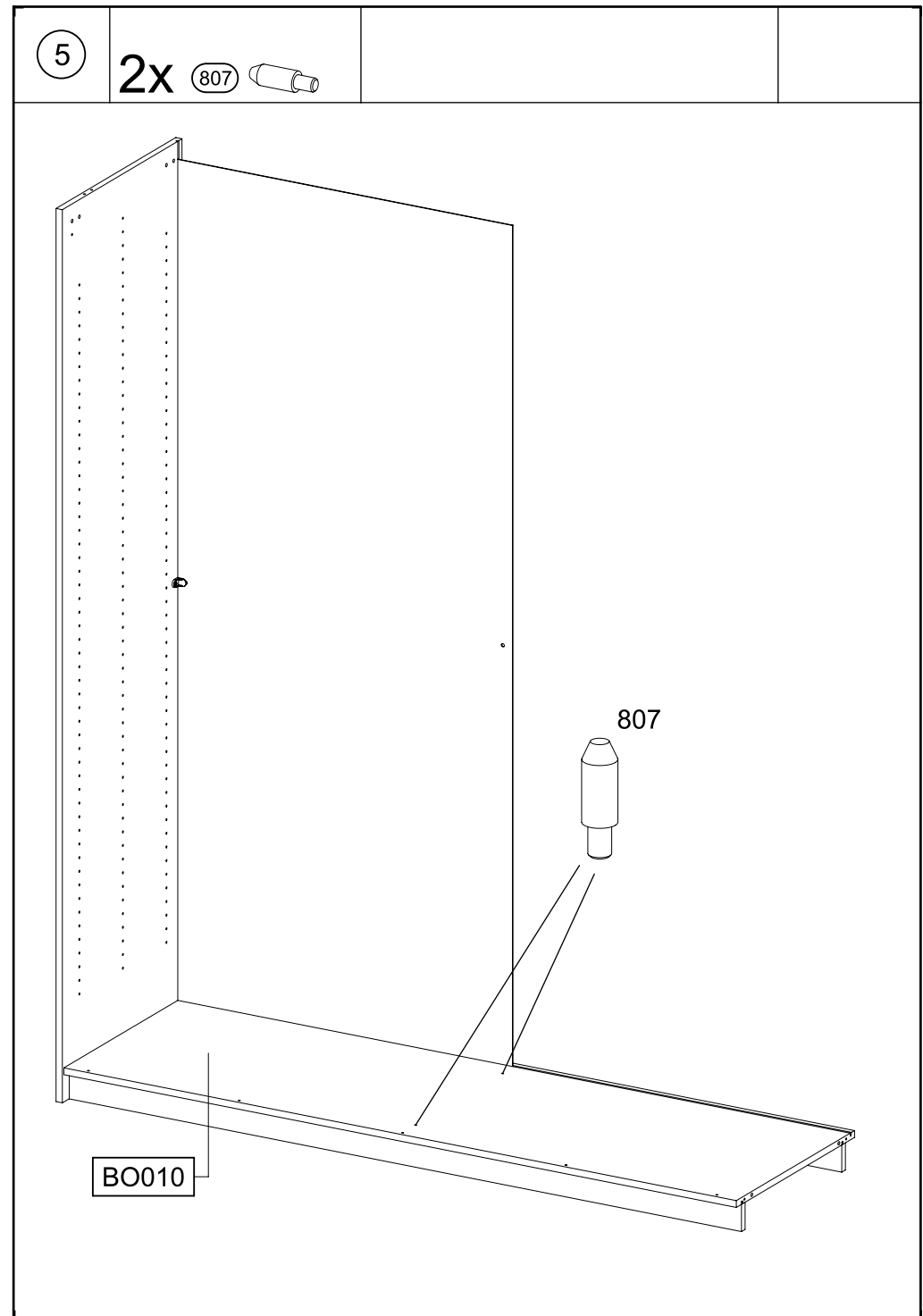
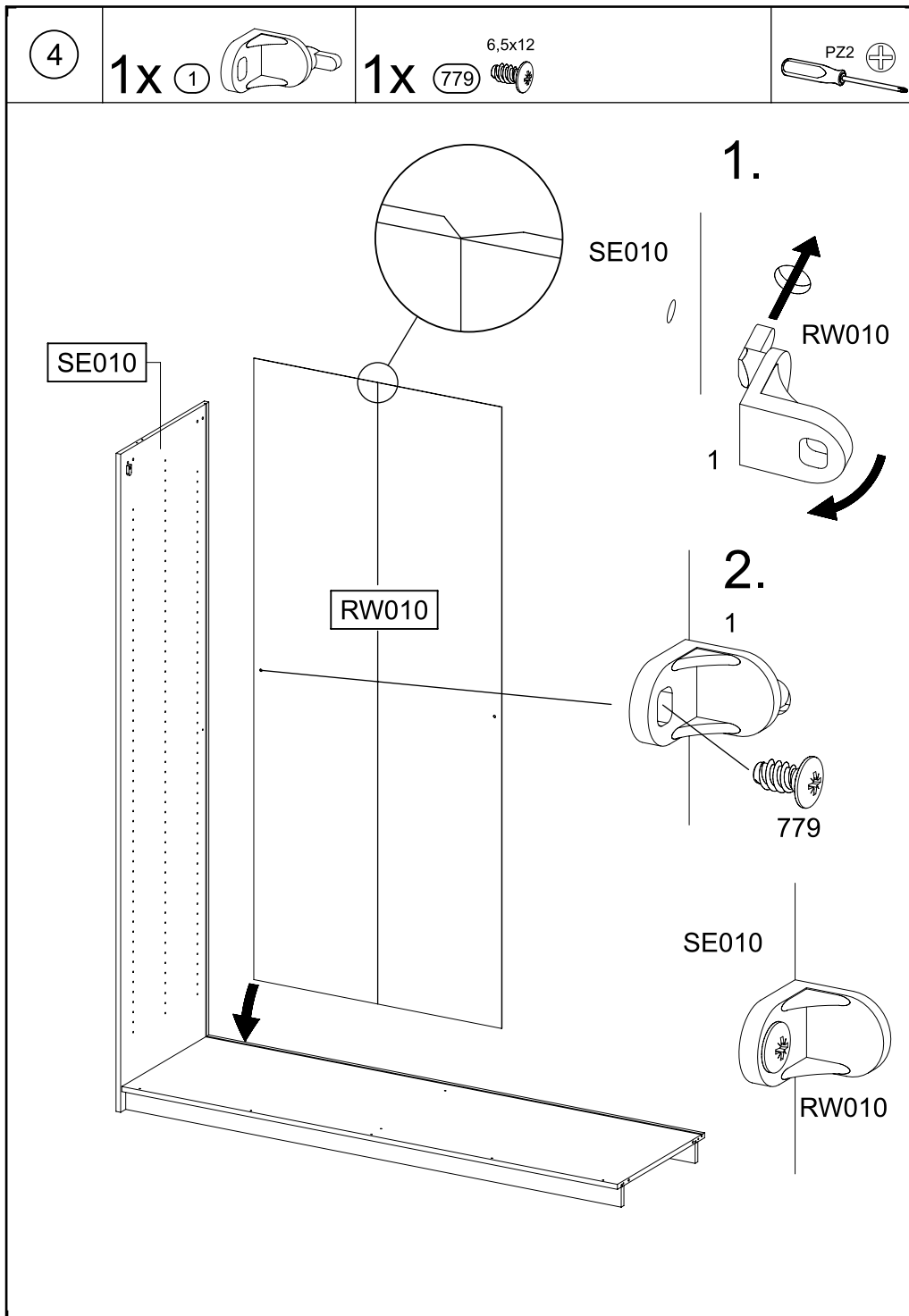
133

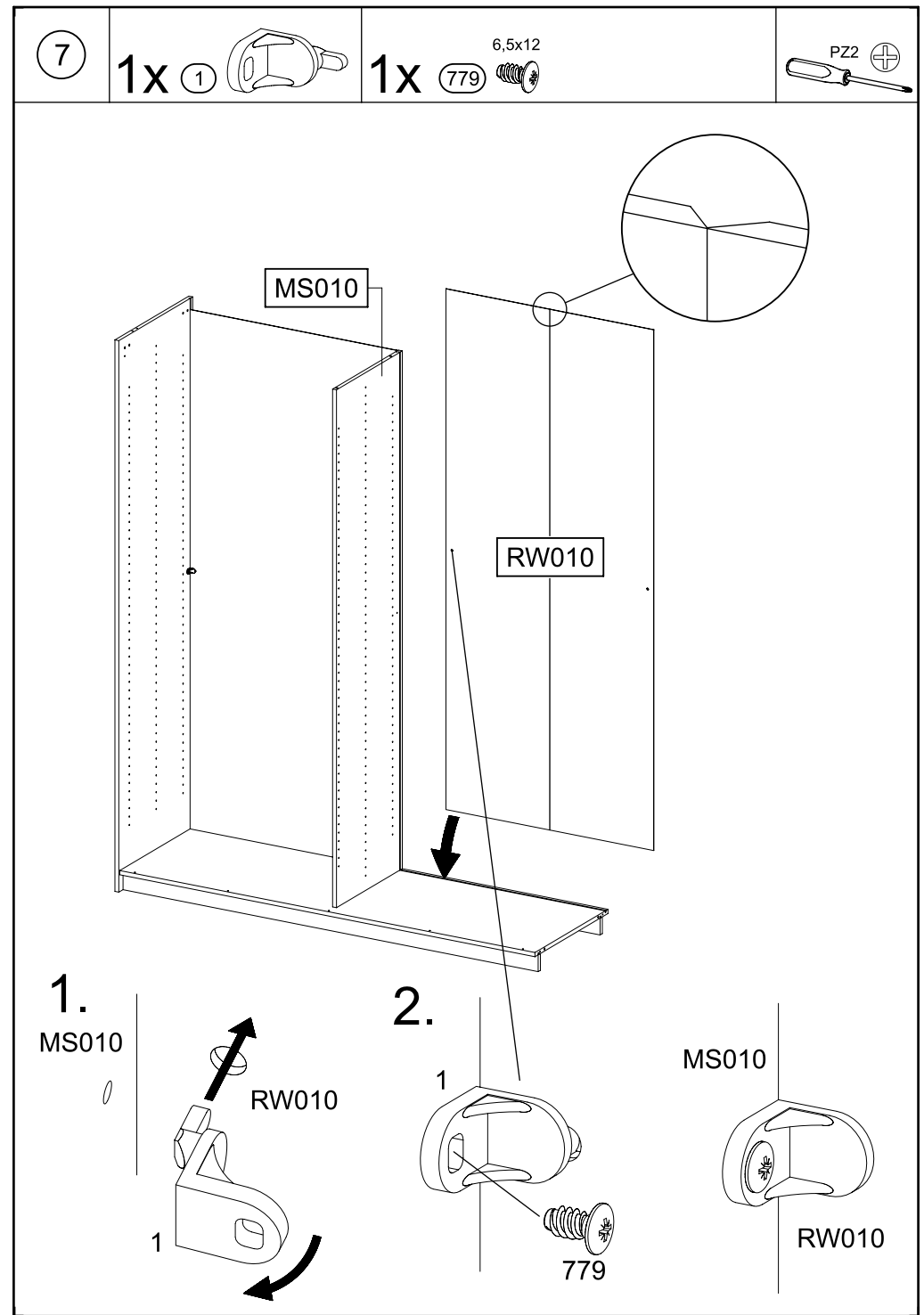
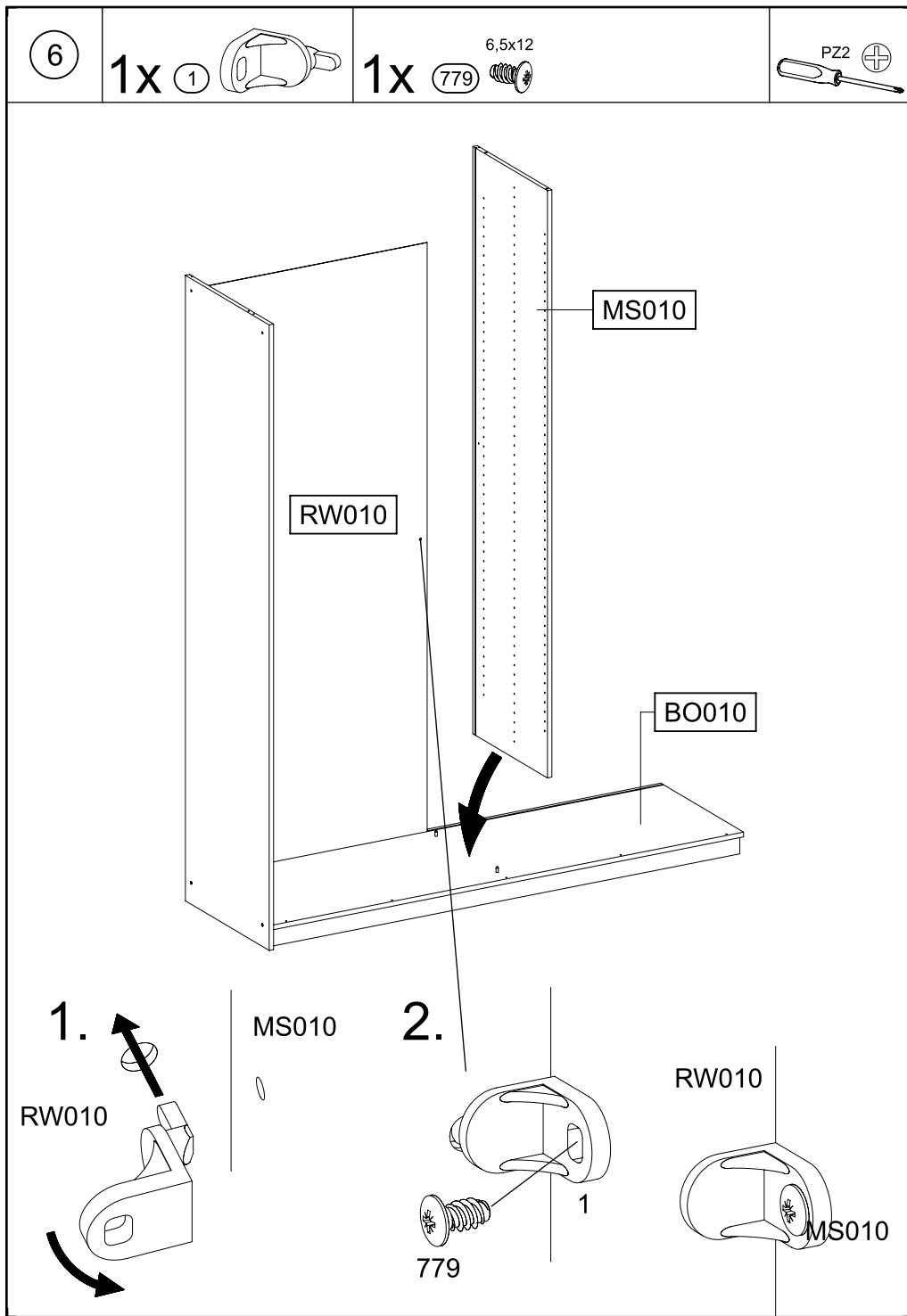
1.

233

2.

BO010



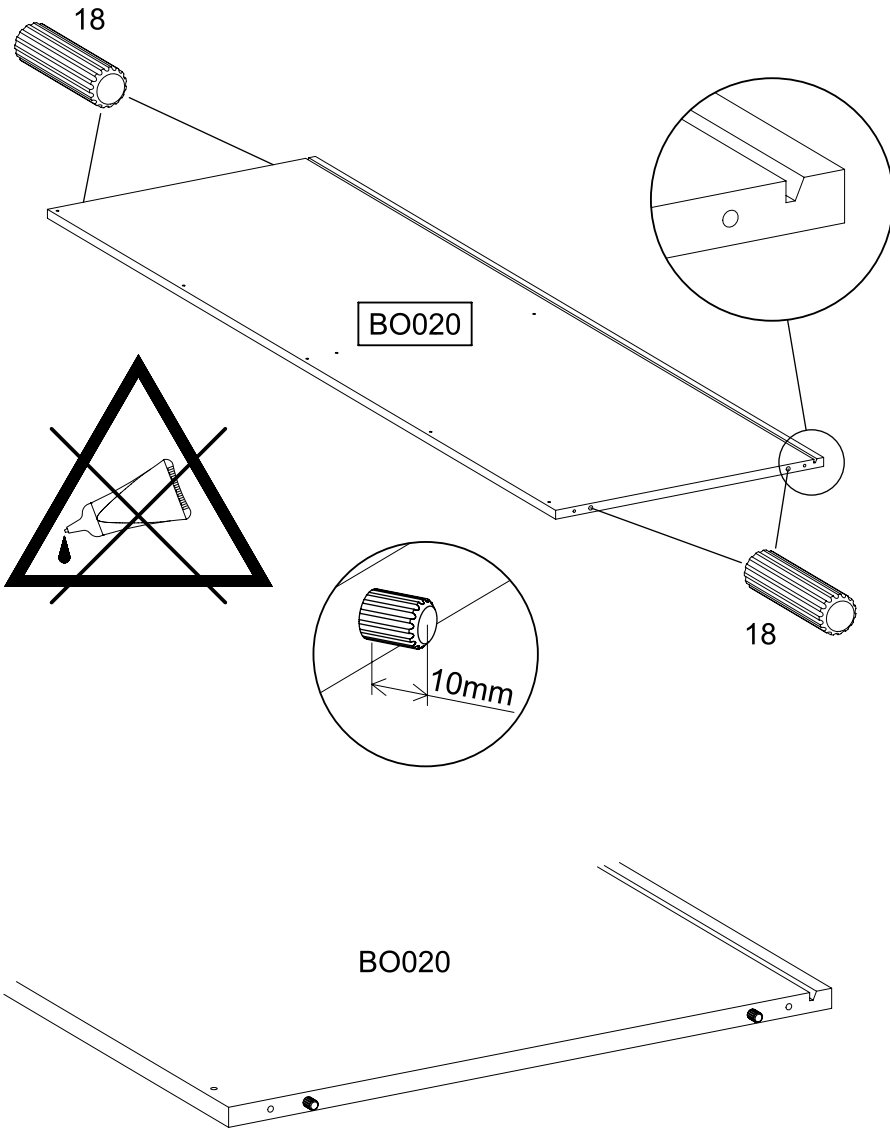
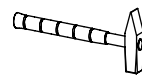


8

4x

18

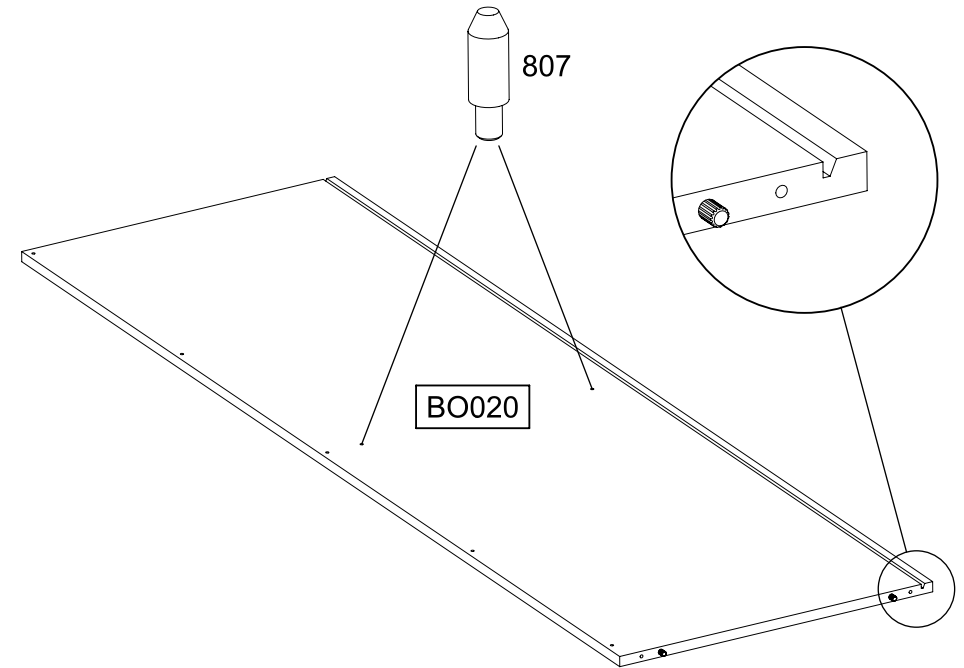
8x30

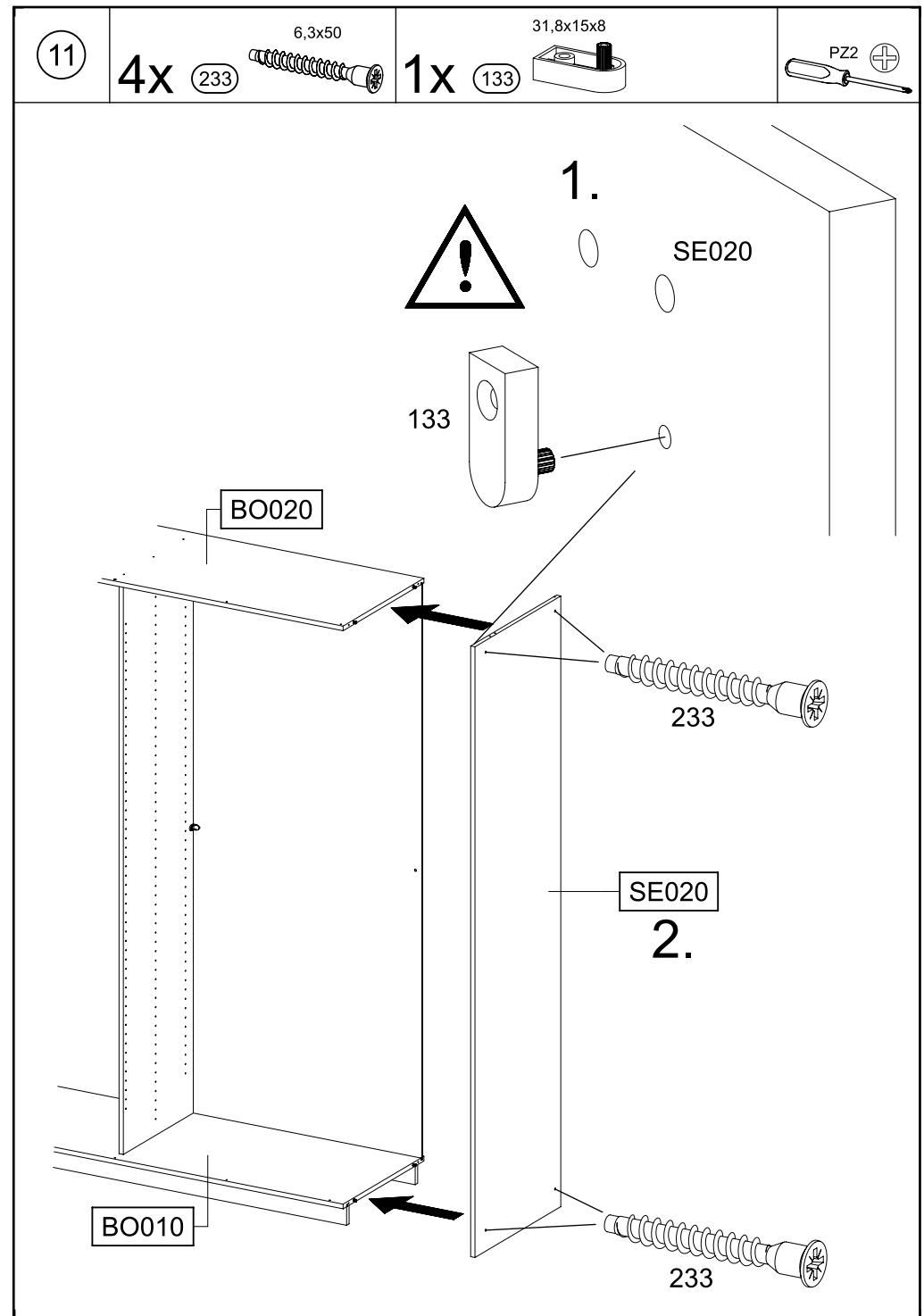
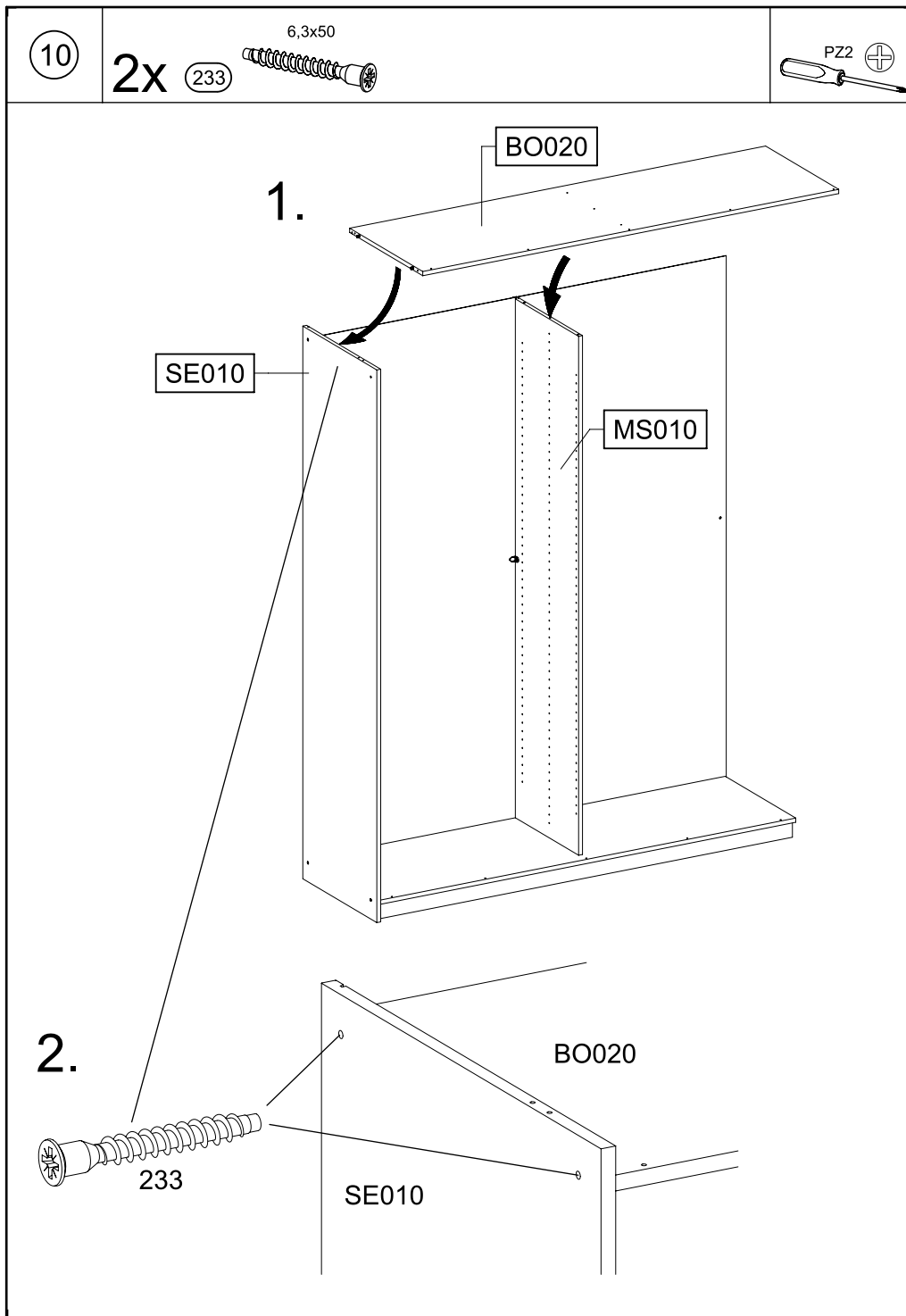


9

2x

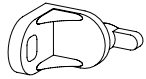
807



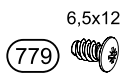


12

1x ①

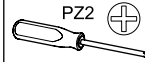


1x ②

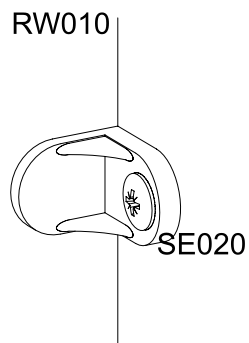
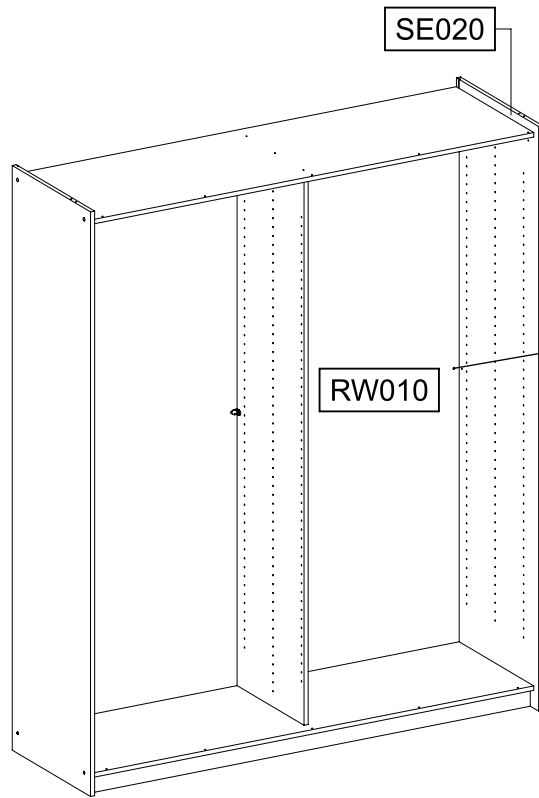
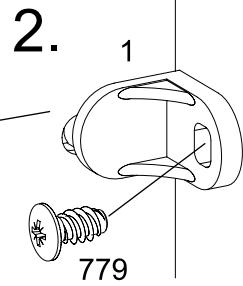
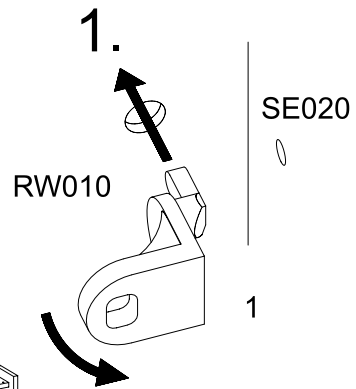


6,5x12

779

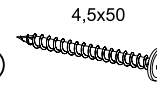


PZ2



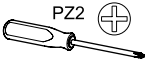
13

1x ③

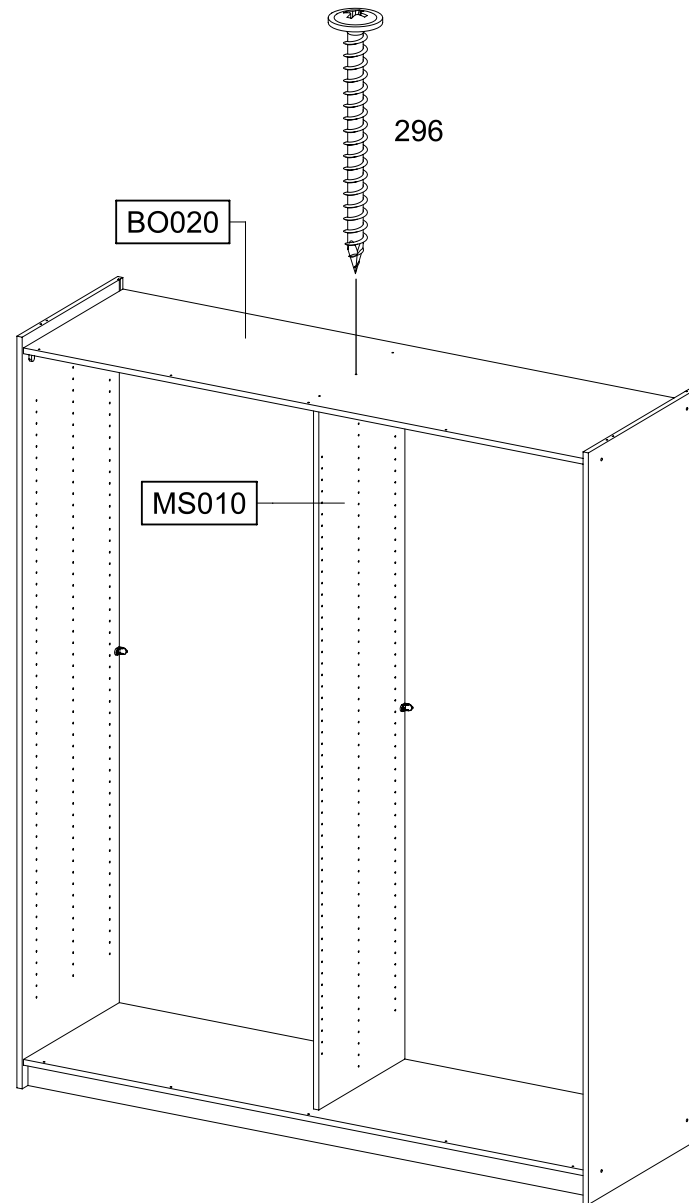


4,5x50

296

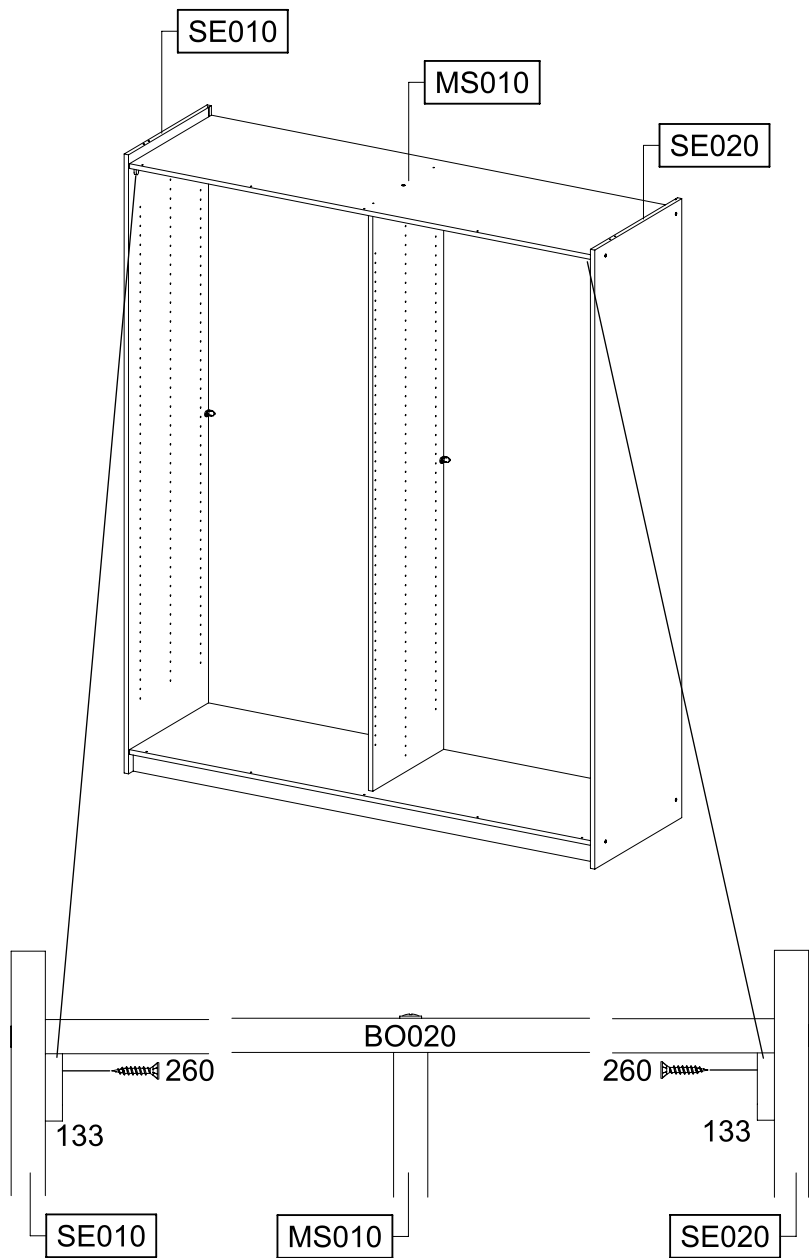
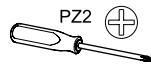


PZ2



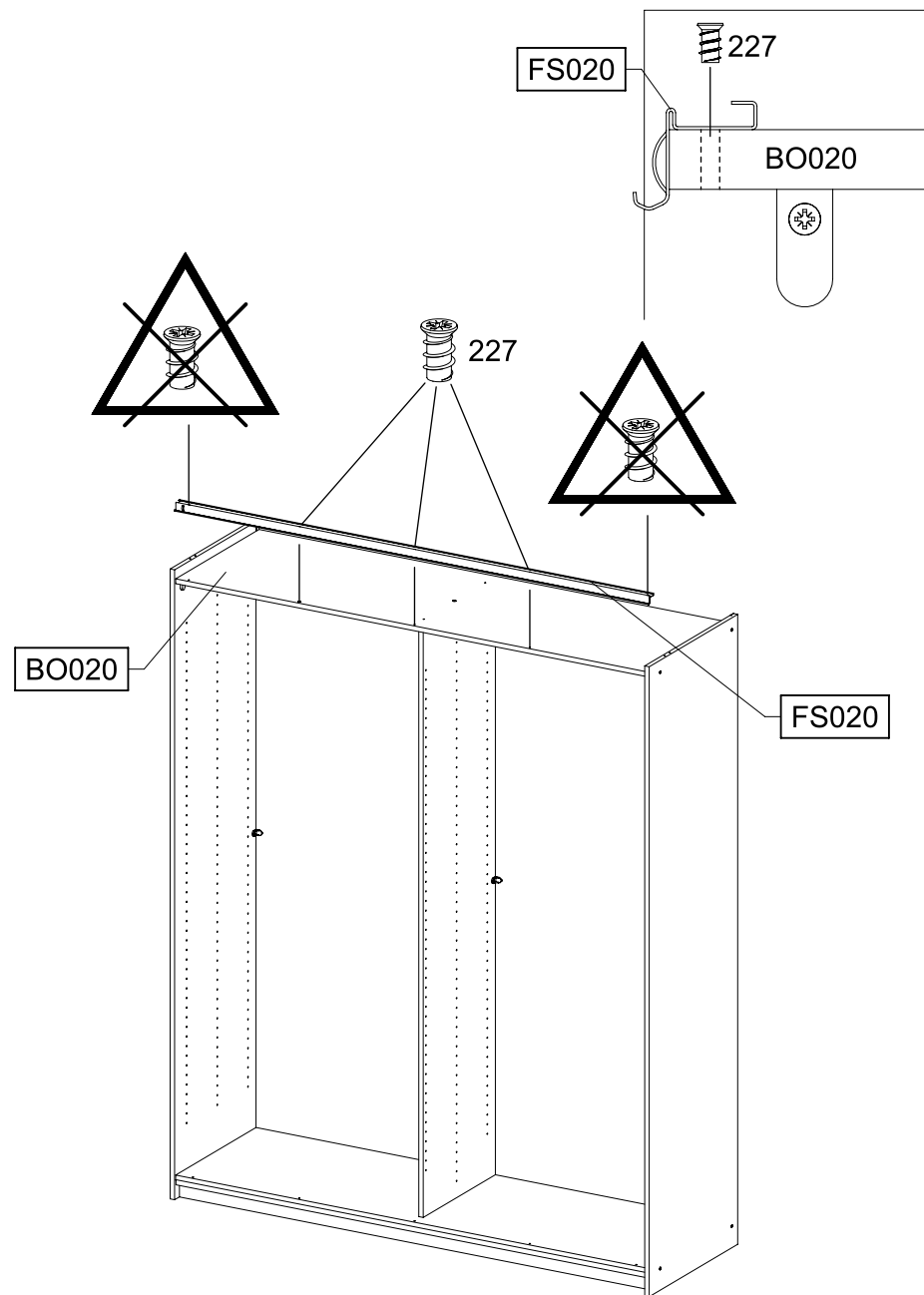
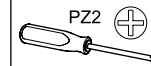
14

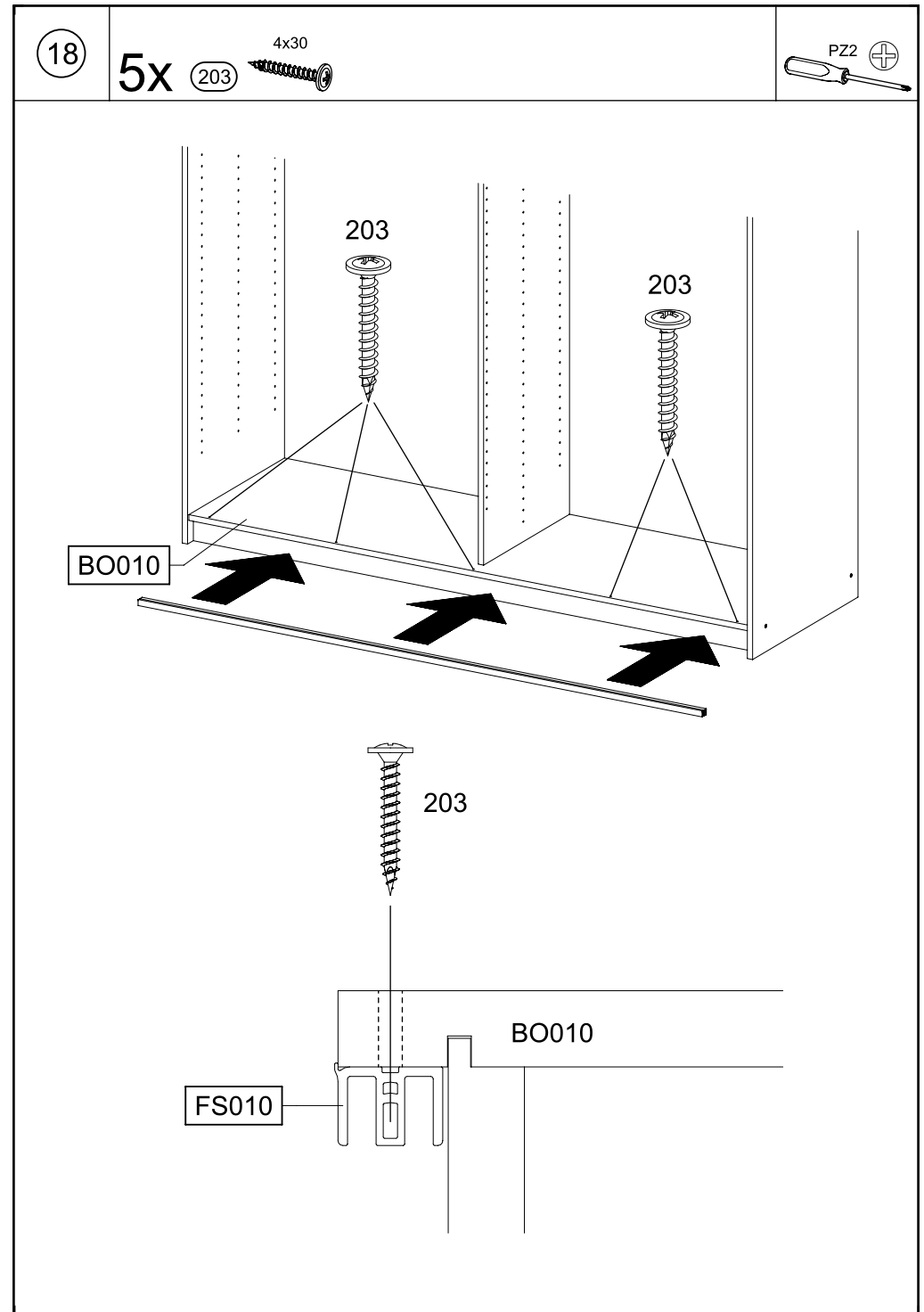
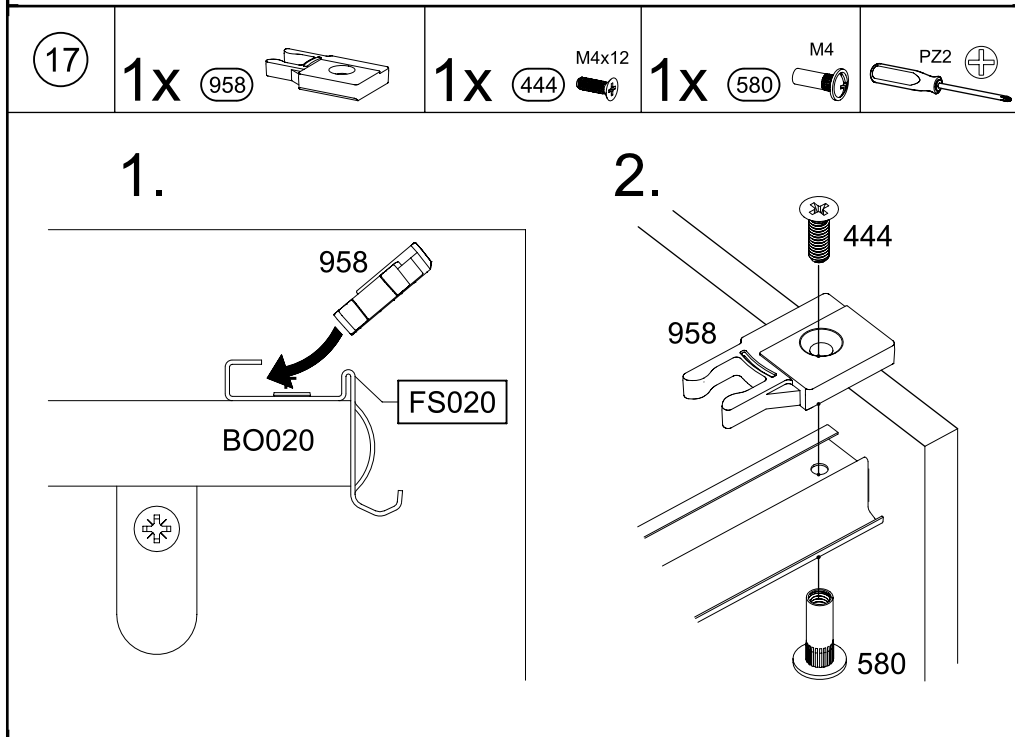
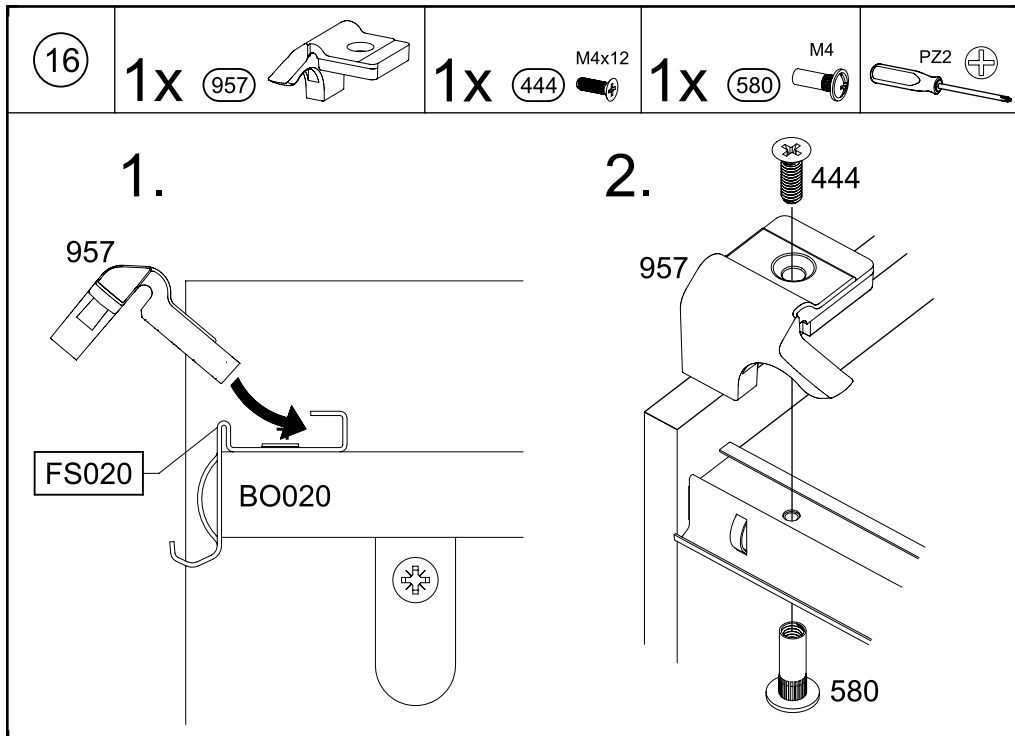
2x 260 4,0x22



15

3x 227 6x10,5





19

0-2x

12

55x16x6,2



4x

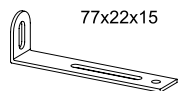
201

4x15



2x

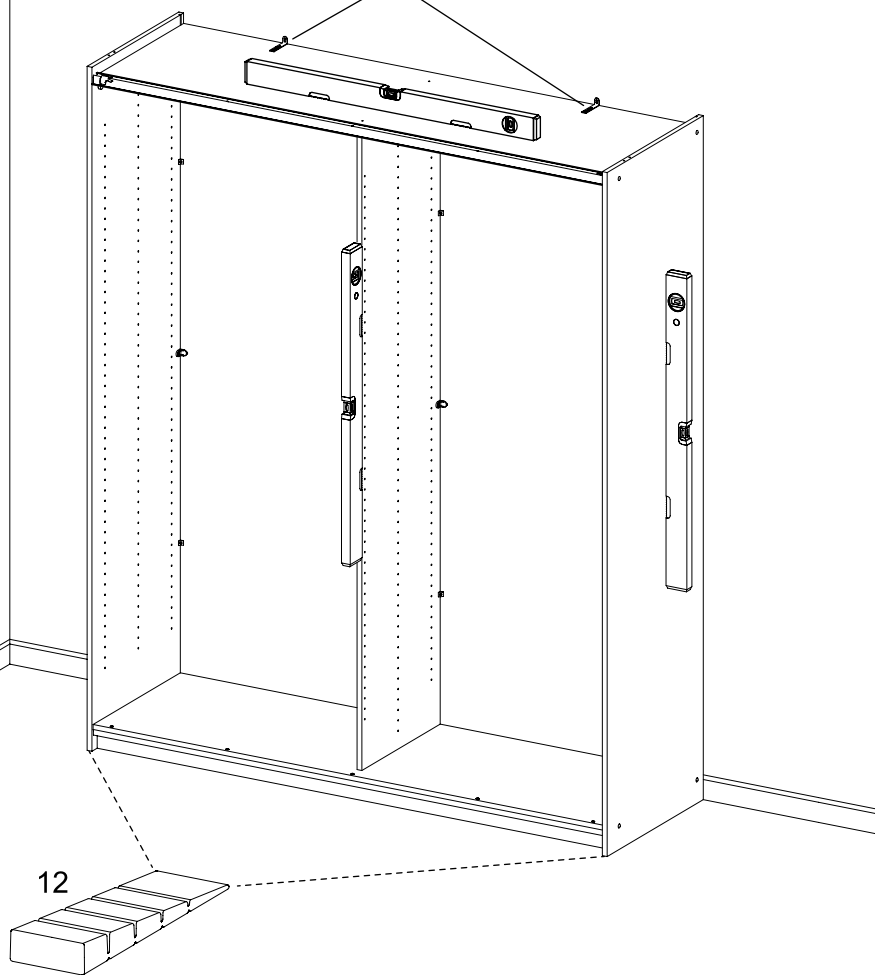
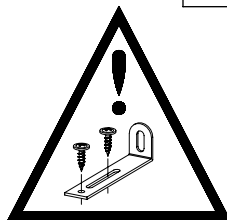
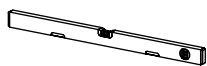
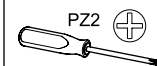
68



77x22x15



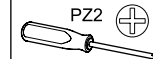
SCAN ME



20

8x

45



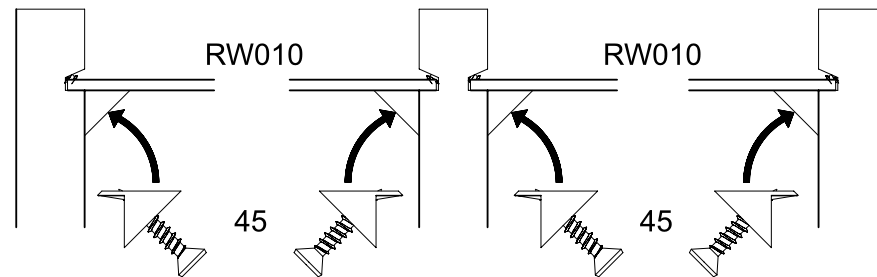
SE010

MS010

SE020

RW010

RW010



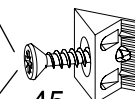
SE010

MS010

SE020

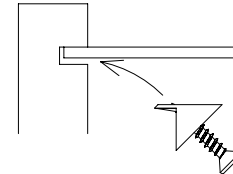


45

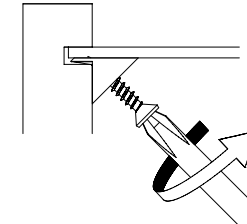


45

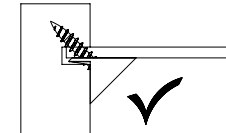
1.



2.



3.



21

8x

271

