


ACCESSORIES & EXTRAS

There are many accessories available to compliment your wardrobe and increase its storage capacity to your own requirements. Please check the reference on the bedroom range you are choosing accessories for, in order to get the correct item for each style. The dimensions indicated within the EXTRAS section are a guide for each section and should not be used in conjunction with non corresponding items.

Brand	Description		Element width	Colour code	Page
	rauch BLUE				
	EXTRAS HINGED for hinged door wardrobes	Alvor, Arnstein, Celle, Celle-Extra, Davoa, Lamella, Ticao, Zoey	45, 67.5, 90, 112.5 cm	A0031	62-67
	EXTRAS SLIDING for sliding door wardrobes	Sevilla, Slide	65, 87.5, 109 cm	A0039	68-69
	Mattress supports, UK-plugs		–	A0033	70

EXTRAS HINGED

rauch BLUE

For hinged door wardrobes



Colour

Texline Natural-colour linen look






Colour code






A0031



Texline colour

Colour	Colour code
Texline Natural-colour linen look	A0031

ELEMENT WIDTH ▶		45	45	45	45	45
						
		Shelf for unit width 45cm ↔43 cm ↓1,6 cm ↗45 cm	Shoe shelves with profiles for unit width 45cm ↔43 cm ↓1,6 cm ↗37 cm	hanging rail for unit width 45cm ↔43 cm ↓3 cm ↗2 cm	interior drawer with 2 drawers for unit width 45cm ↔43 cm ↓39 cm ↗45 cm	interior drawer with 3 drawers for unit width 45cm ↔43 cm ↓57 cm ↗45 cm
1 pieces		9601		9737	9843	9893
Set of 2		9F22	9FE2			
Set of 3		9602	9FE3			
Set of 5		9603				





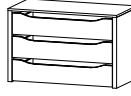
ELEMENT WIDTH ▶		67,5	67,5	67,5	67,5	67,5
						
		Shelf for unit width 66cm ↔66 cm ↓1,6 cm ↗45 cm	Shoe shelves with profiles for unit width 66cm ↔66 cm ↓1,6 cm ↗37 cm	hanging rail for unit width 66cm ↔65 cm ↓3 cm ↗2 cm	interior drawer with 2 drawers for unit width 66cm ↔66 cm ↓39 cm ↗45 cm	interior drawer with 3 drawers for unit width 66cm ↔66 cm ↓57 cm ↗45 cm
1 pieces		9F11		9743	9864	9860
Set of 2		9F12	9FG2			
Set of 3		9F13	9FG3			
Set of 5		9F18				

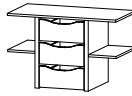


EXTRAS HINGED

rauch BLUE




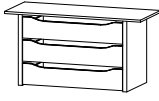
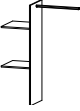
unit width 45, 67.5, 90, 112.5 cm


Colour	Colour code
Texline Natural-colour linen look	A0031

ELEMENT WIDTH ▶		90	90	90	90	90
						
		Shelf for unit width 90cm ↔88 cm ↓1,6 cm ↗45 cm	Shoe shelves with profiles for unit width 90cm ↔88 cm ↓1,6 cm ↗37 cm	hanging rail for unit width 90cm ↔87 cm ↓3 cm ↗2 cm	interior drawer with 2 drawers for unit width 90cm ↔88 cm ↓39 cm ↗45 cm	interior drawer with 3 drawers for unit width 90cm ↔88 cm ↓57 cm ↗45 cm
1 pieces		9604		9736	9845	9895
Set of 2		9F21	9FH2			
Set of 3		9605	9FH3			
Set of 5		9606				

ELEMENT WIDTH ▶		90	90	90	
					interior division not possible for elements with drawers!
		interior drawer for unit width 90cm with 3 drawers with shelves ↔88 cm ↓57 cm ↗45 cm	wardrobe interior division with clothes rail with 2 shelves for unit width 90cm ↔88 cm ↓147 cm ↗45 cm	wardrobe interior division with 2 shelves for unit width 90cm ↔45 cm ↓147 cm ↗45 cm	
Article		9898	9951	9934	

Colour	Colour code
Textline Natural-colour linen look	A0031

ELEMENT WIDTH ▶		112.5	112.5	112.5	112.5	112.5
Design constraints necessitate a shelf thickness of 2.2 cm on unit widths of 112.5 cm.						
		Shelf for unit width 112,5cm ↔111 cm ↓2,2 cm ↗48 cm	hanging rail for unit width 112,5cm ↔110 cm ↓3 cm ↗2 cm	interior drawer with 2 drawers for unit width 112,5cm ↔111 cm ↓39 cm ↗45 cm	interior drawer with 3 drawers for unit width 112,5cm ↔111 cm ↓57 cm ↗45 cm	wardrobe interior division with clothes rail with 2 shelves for unit width 112,5cm ↔110 cm ↓147 cm ↗48 cm
		1 pieces	Price	9F01	9709	9804
Set of 2		9F02				
Set of 3		9F03				interior division not possible for elements with drawers!

ELEMENT WIDTH ▶		112.5
		
		wardrobe interior division with 2 shelves ↔45 cm ↓147 cm ↗48 cm
		Article

interior division not possible for elements with drawers!

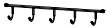



GENERAL		Hinged-door damper	
			
		Hinged-door damper	
		Set of 5	Price
Set of 10		9DD0	

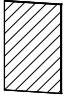

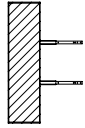
EXTRAS HINGED


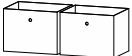
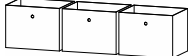
rauch BLUE

General

Colour	Colour code
Textline Natural-colour linen look	A0031

GENERAL		Hooks, trouser holder, coat hanger rail, tie rack			
					
		hooks	trouser holder	coat hanger rail	tie rack
					swivelling
		↔35 cm ↓5 cm ↗5 cm	↔25 cm ↓7 cm ↗46 cm	↔7 cm ↓52 cm ↗28 cm	↔32 cm ↓27 cm ↗6 cm
Article	Price	9HL1	990H	9767	9768

GENERAL		Mirrors		
				
		wall mirror	interior mirror for hinged doors	interior mirror mirror width 31 cm hinged extends from 45 to 73 cm
		↔60 cm ↓90 cm ↗2 cm	↔29 cm ↓130 cm ↗0 cm	↔31 cm ↓115 cm ↗4 cm
Article	Price	98A7	98S8	9408

GENERAL		Boxes		
				
		hanging fabric box fabric for clothes rail	fabric box set of 2 grey	fabric box set of 3 grey
		↔30 cm ↓115 cm ↗30 cm	2x ↔38 cm ↓29 cm ↗29 cm	3x ↔38 cm ↓29 cm ↗29 cm
Article	Price	7526	93G2	93G3

Colour	Colour code
Texline Natural-colour linen look	A0031

GENERAL		Lighting
		<p>interior lights</p> <p>with motion sensor LED light</p> <p>↔23 cm ;3 cm ↗11 cm</p>
Article	Price	9T1B
		<p>set of 2 LED lights</p> <p>swivelling for bed</p> <p>2 x↔17 cm ;49 cm ↗17 cm</p> <p>99LP</p>
		<p>This product contains a light source of the energy efficiency class G.</p> <p>EPREL 762229</p>

GENERAL		Lighting
		<p>set of 2 LED lights</p> <p>aluminium Linea-Stixx</p> <p>↔35 cm ;6 cm ↗19 cm</p>
Set of 2	Price	9L48
Set of 3	Price	9L49
		<p>This product contains a light source of the energy efficiency class G.</p> <p>EPREL 766530</p>

EXTRAS SLIDING

rauch BLUE

For sliding door wardrobes









Colour	Colour code
Texline Natural-colour linen look	A0039



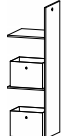
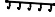



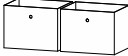
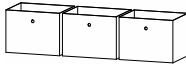

Texline colour

for unit width 65, 87, 109 cm

Colour	Colour code
Texline (natural-colour linen look)	A0039




ELEMENT WIDTH ▶		65	87	109	65	87	109
Design constraints necessitate a shelf thickness of 2.2 cm on unit widths of 109 cm.							
		Shelf	Shelf	Shelf	hanging rail	hanging rail	hanging rail
		for unit width 66cm	for unit width 87 cm	for unit width 109 cm	for unit width 66cm	for unit width 87 cm	for unit width 109 cm
		↔63 cm ↑1,6 cm ↗45 cm	↔85 cm ↑1,6 cm ↗45 cm	↔107 cm ↑2,2 cm ↗45 cm	↔63 cm ↑3 cm ↗2 cm	↔84 cm ↑3 cm ↗2 cm	↔106 cm ↑3 cm ↗2 cm
1 pieces	94W1	97W1	98W1	97K1	9724	9762	
Set of 2	97W0	97W2	98W2	---	---	---	
Set of 3	94W3	97W3	98W3	---	---	---	
Set of 5	94W5	97W5	---	---	---	---	

GENERAL		Drawer unit and interior division match all unit widths.				
						
		interior drawer	wardrobe interior division	wardrobe interior division	hooks	set of 2 dampers for sliding wardrobes
		with 2 drawers	with 2 shelves	with 2 shelves, 2 fabric boxes		Cushions the door stop on the outer panels of the wardrobe.
		↔58 cm ↑39 cm ↗45 cm	↔45 cm ↑147 cm ↗45 cm	↔45 cm ↑147 cm ↗45 cm	↔35 cm ↑5 cm ↗5 cm	
Article	9846	9934	035W	9HL1	9TDD	

GENERAL					
					
		fabric box	fabric box	hanging fabric box	
		set of 2 grey	set of 3 grey	fabric for clothes rail	
		2x ↔38 cm ↓29 cm ↗29 cm	3x ↔38 cm ↓29 cm ↗29 cm	↔30 cm ↓115 cm ↗30 cm	
Article	93G2	93G3	7526		

Colour	Colour code
Texline Natural-colour linen look	A0033

EXTRAS		Plug		
Article	Price			
		UK plug		
		3-piin socket		
		↔17 cm ↓6 cm ↙4 cm		
		9813		

EXTRAS		Mattress supports			
Article	Price	2 mattress supports are required for beds in size 160 cm	2 mattress supports are required for beds in size 180 cm		
					
		slat		slat	slat
		80x200		90x200	140x200
		↔79 cm ↓5 cm ↙196 cm	↔89 cm ↓5 cm ↙196 cm	↔139 cm ↓5 cm ↙196 cm	
		9699	9954	8958	

